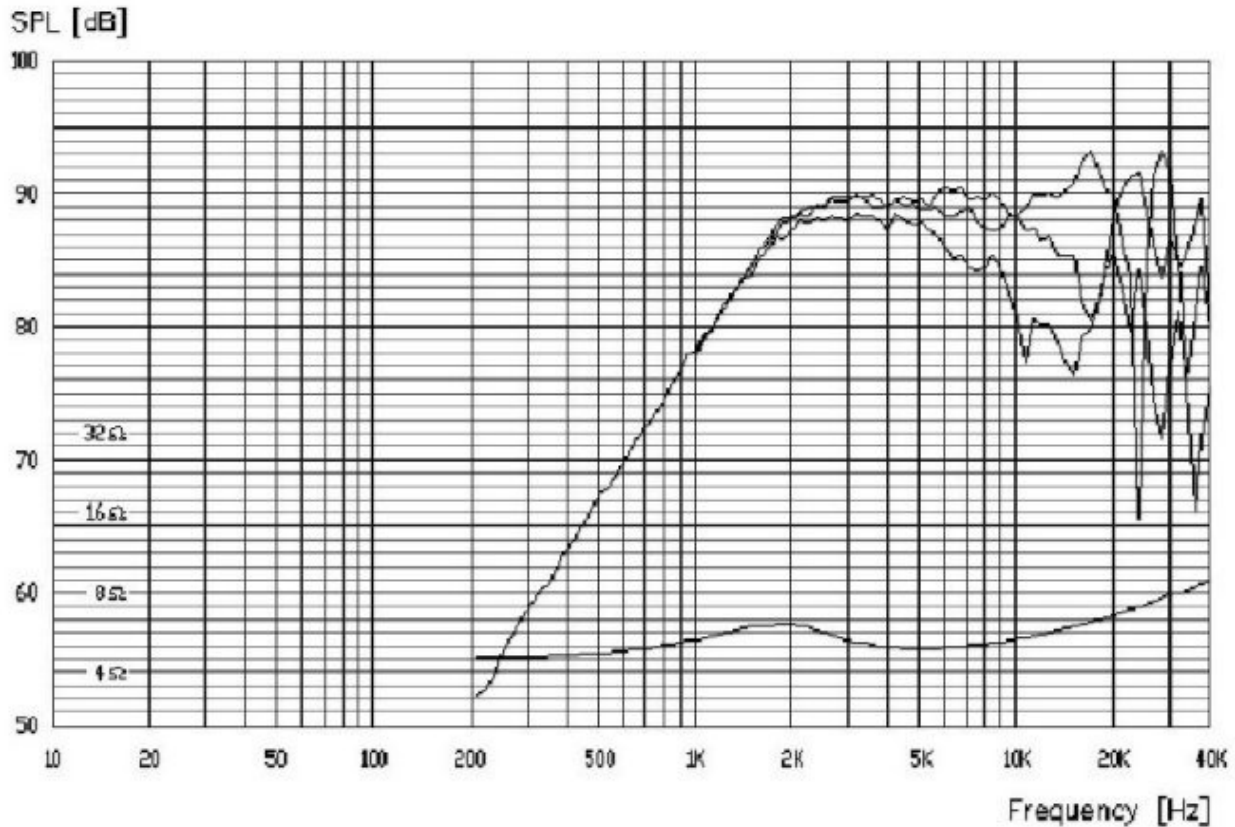
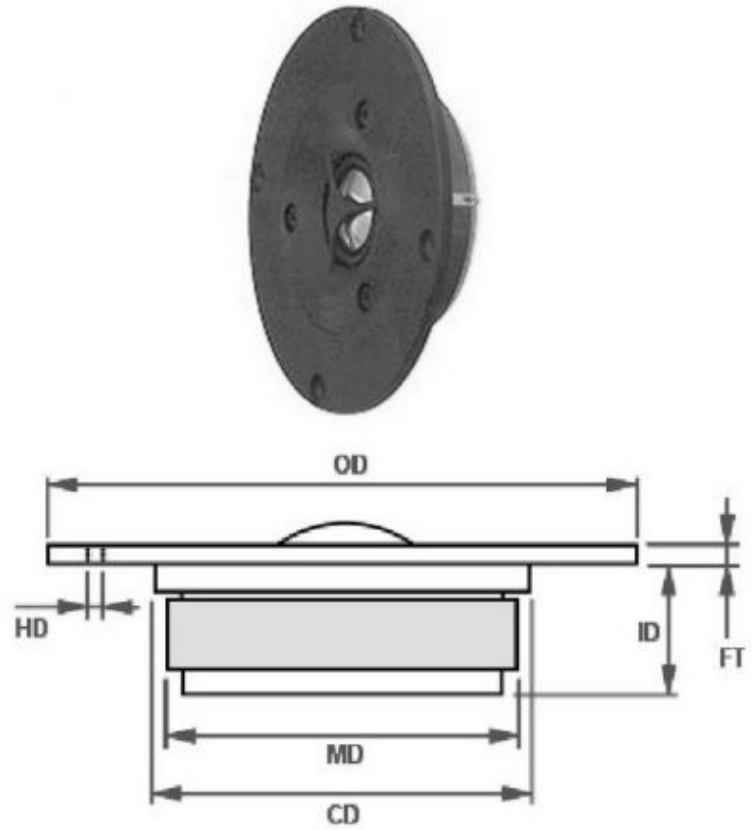




D19AD-05-06

Nominal impedance [ohm]	6
Voice coil resistance [ohm]	4.2
Nominal power [W]	100
Short term max power [W]	-
Long term max power [W]	-
Operating power [W]	7.1
Sensitivity [dB]	89
Frequency range [kHz]	3-20
Free air resonance [Hz]	1700
Voice coil diameter [mm]	19
Voice coil height [mm]	1.3
Air gap height [mm]	2
Voice coil inductance [mH]	-
Eff. diaphragm Area [cm ²]	4.4
Moving mass [g]	0.2
Magnet weight [g]/[oz]	105/3.7
Force factor [Bl]	2.2
VAS [l]	-
Qms	-
Qes	-
Qts	-

OD: 94.3 mm	CD: 68 mm
FT: 3 mm	ID: 20.3 mm
MD: 61.5 mm	HD: 4xø4@ø85



Frequency response: 2.83V / 1m