

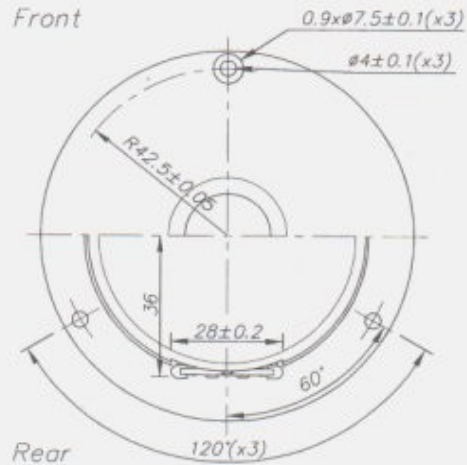
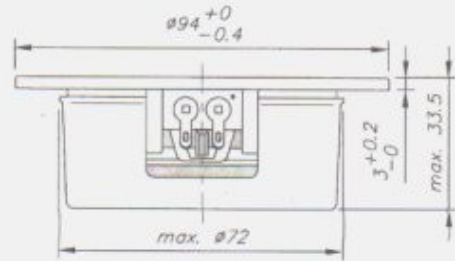
3/4" TWEETER

D19SD-05-08

SPECIAL FEATURES:

- HIGH LOSS DIAPHRAGM
- MAGNETIC FLUID
- GOOD DISPERSION
- MAGNETIC SHIELDED / DOUBLE MAGNET

NOMINAL IMPEDANCE	8 Ω
VOICE COIL RESISTANCE	6.2 Ω
NOMINAL POWER (IEC 268-5)	100 W ¹⁾
SHORT TERM MAX. POWER (IEC 268-5)	>450 W ²⁾
LONG TERM MAX. POWER (IEC 268-5)	350 W ³⁾
OPERATING POWER	5.0 W
SENSITIVITY (1W, 1m) / (2.83V, 1m)	89.5/89.5 dB
FREQUENCY RANGE	3-20 kHz
FREE AIR RESONANCE	1700 Hz
VOICE COIL DIAMETER	19 mm
VOICE COIL HEIGHT	1.4 mm
AIR GAP HEIGHT	2 mm
EFFECTIVE DIAPHRAGM AREA	4.2 cm ²
MOVING MASS (incl. air)	0.18 g
MAGNET WEIGHT (3.7 oz)	105 g
FORCE FACTOR, BxI	2.8 Txm
Qms	1.47
Qes	1.43
Qts	0.73



D19SD-05-08

DISPERSION PLOT
0, 30 and 60 deg.

Input: 2.83 V
Mic.: 1 m

Mounted in
infinite baffle.

01.09.94 PM

Anechoic room 6x7x8 meters.
Half space free-field above 100 Hz.
Brüel & Kjær 2012 Audio Analyzer.

