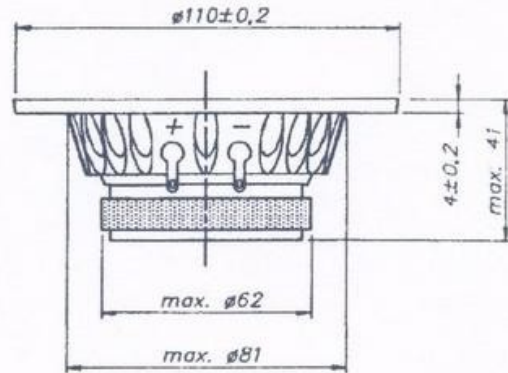


4 1/2" MIDRANGE

K10MD-19-08

SPECIAL FEATURES:

- LOW DISTORSION
- PLASTIC BASKET
- EXTENDED FREQUENCY RESPONSE
- COATED PAPER CONE



NOMINAL IMPEDANCE	8 Ω
NOMINAL POWER (IEC 268-5)	60 W
FREQUENCY RANGE	0,5-9 kHz
SENSITIVITY (1W, 1m)	89 dB
EFFECTIVE DIAPHRAGM AREA	43 cm ²
VOICE COIL RESISTANCE	5,4 Ω
OPERATING POWER	5 W
VOICE COIL DIAMETER	20 mm
VOICE COIL HEIGHT	5,3 mm
AIR GAP HEIGHT	4 mm
FREE AIR RESONANCE	180 Hz
MOVING MASS (incl. air)	2,5 g
FORCE FACTOR, B x l	3,7 T \times m
MAGNET WEIGHT (3,7 oz)	105 g

