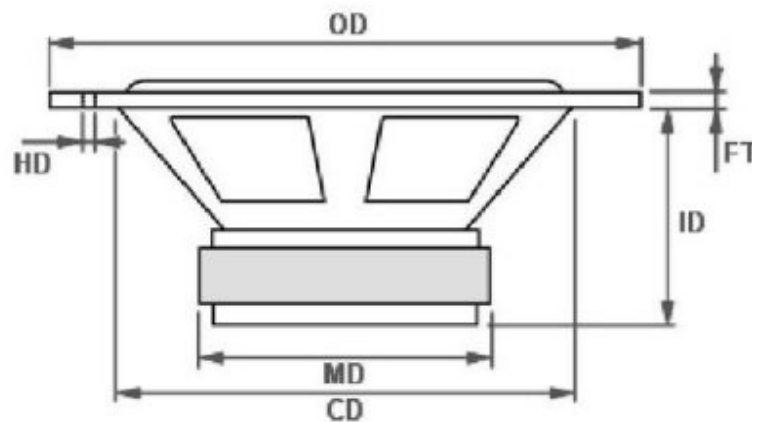


# vifa

## M10MD-39-08

Nominal impedance [ohm]	8
Voice coil resistance [ohm]	5.4
Nominal power [W]	80
Short term max power [W]	-
Long term max power [W]	-
Operating power [W]	6.3
Sensitivity [dB]	88
Frequency range [kHz]	0.3-8
Free air resonance [Hz]	110
Voice coil diameter [mm]	20
Voice coil height [mm]	5.3
Air gap height [mm]	4
Voice coil inductance [mH]	-
Eff. diaphragm Area [cm <sup>2</sup> ]	37
Moving mass [g]	2.9
Magnet weight [g]/[oz]	210/7.4
Force factor [Bl]	4.1
VAS [l]	-
Qms	-
Qes	-
Qts	-

<b>OD:</b> 104 mm	<b>CD:</b> 81.2 mm
<b>FT:</b> 4 mm	<b>ID:</b> 45 mm
<b>MD:</b> 62 mm	<b>HD:</b> 4xø5@ø95



SPL [dB]

