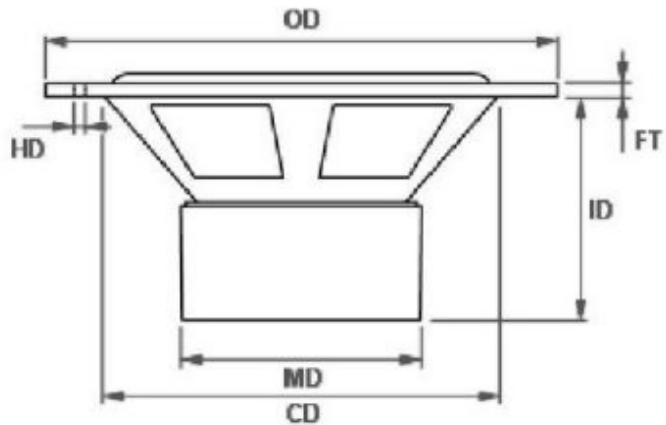


vifa

M17SG-09-08

Nominal impedance [ohm]	8
Voice coil resistance [ohm]	5.6
Nominal power [W]	50
Short term max power [W]	-
Long term max power [W]	-
Operating power [W]	5
Sensitivity [dB]	89
Frequency range [Hz]	34-5000
Free air resonance [Hz]	34
Voice coil diameter [mm]	25
Voice coil height [mm]	12
Air gap height [mm]	6
Voice coil inductance [mH]	0.7
Eff. diaphragm Area [cm ²]	137
Moving mass [g]	11
Magnet weight [g]/[oz]	344/12.1
Force factor [Bl]	5.3
VAS [l]	53
Qms	1.36
Qes	0.47
Qts	0.34

OD:	170 mm	CD:	146 mm
FT:	4.2 mm	ID:	80.8 mm
MD:	93 mm	HD:	4xø5@ø162



SPL [dB]

