

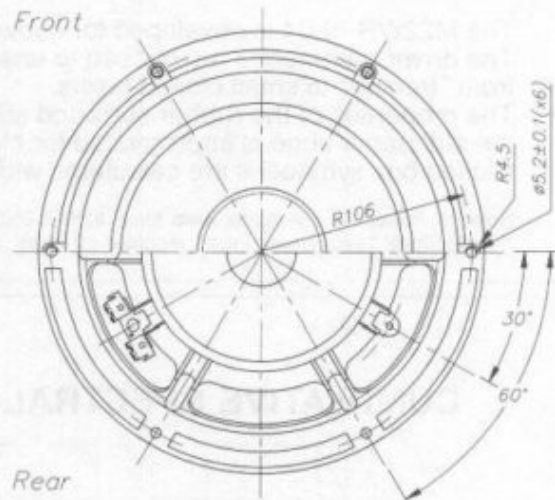
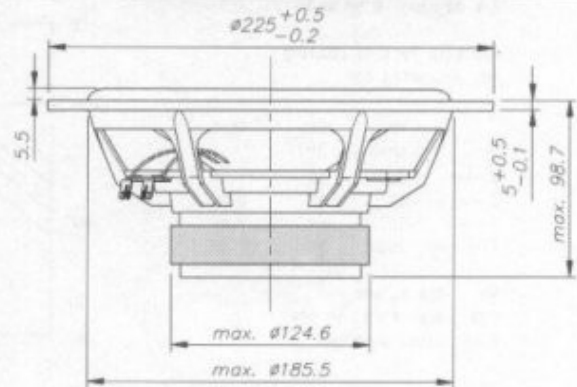
8" WOOFER

SPECIAL FEATURES:

- LONG STROKE, LOW REFLEXION, MAGNESIUM BASKET
- VERY STIFF PAPER CONE
- LOW DAMPING RUBBER SURROUND
- MAGNET SYSTEM WITH 2" V. C. AND LARGE VENT
- OPTIMIZED AS CAR SUBWOOFER

NOMINAL IMPEDANCE	4 Ω
VOICE COIL RESISTANCE	3.2 Ω
NOMINAL POWER (IEC 268-5)	150 W ¹⁾
SHORT TERM MAX. POWER (IEC 268-5)	500 W ²⁾
LONG TERM MAX. POWER (IEC 268-5)	350 W ³⁾
MUSIC POWER (DIN 45500)	200 W
OPERATING POWER	12.6 W
SENSITIVITY (1W, 1m) / (2.83V, 1m)	85/88 dB
FREQUENCY RANGE	45-500 Hz
FREE AIR RESONANCE	48 Hz
VOICE COIL DIAMETER	50 mm
VOICE COIL HEIGHT	19 mm
AIR GAP HEIGHT	8 mm
VOICE COIL INDUCTANCE	0.9 mH
EFFECTIVE CONE AREA	224 cm ²
MOVING MASS (incl. air)	35 g
MAGNET WEIGHT (37.4 oz)	1062 g
FORCE FACTOR, BxI	6.4 Txm
Vas	20 ltr
Qms	3.44
Qes	0.87
Qts	0.70

M22WR-19-04



M22WR-19-04

DISPERSION PLOT
0, 30 and 60 deg.

Input: 2.83 V
Mic.: 1 m

320 ltr. box mounted
in infinite baffle.

18.04.94 KK

Anechoic room 6x7x8 meters.
Half space free-field above 100 Hz.
Brüel & Kjaer 2012 Audio Analyzer.

