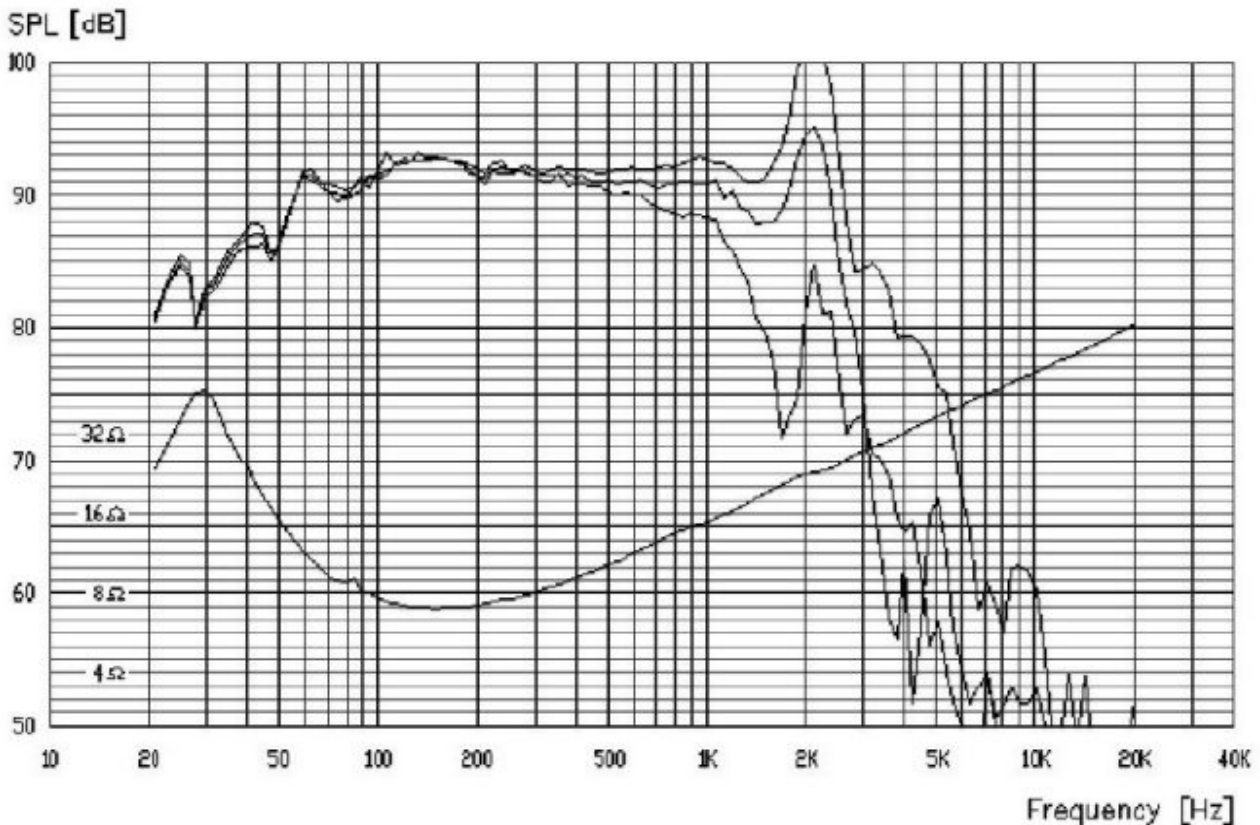
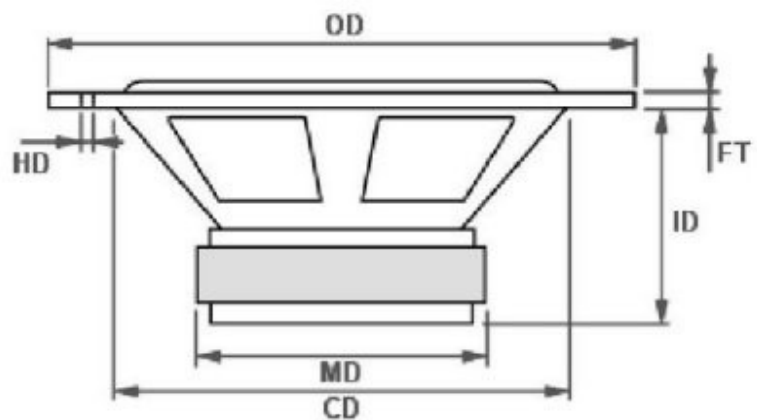


# vifa

## M30WO-49-08

Nominal impedance [ohm]	8
Voice coil resistance [ohm]	5.7
Nominal power [W]	100
Short term max power [W]	-
Long term max power [W]	-
Operating power [W]	2
Sensitivity [dB]	93
Frequency range [Hz]	21-1000
Free air resonance [Hz]	21
Voice coil diameter [mm]	40
Voice coil height [mm]	14
Air gap height [mm]	6
Voice coil inductance [mH]	2.1
Eff. diaphragm Area [cm <sup>2</sup> ]	513
Moving mass [g]	53
Magnet weight [g]/[oz]	1396/49.2
Force factor [Bl]	12.7
VAS [l]	400
Qms	2.30
Qes	0.25
Qts	0.23

OD: 308 mm	CD: 279 mm
FT: 7.4 mm	ID: 136 mm
MD: 113 mm	HD: 6xø6@ø296



Frequency response: 2.83V / 1m