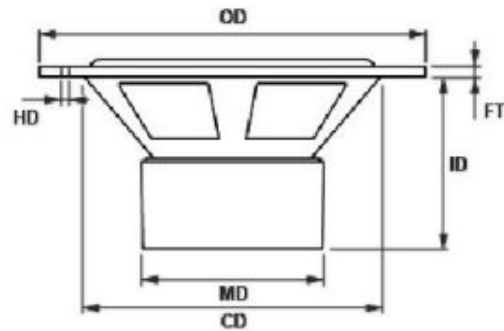


vifa

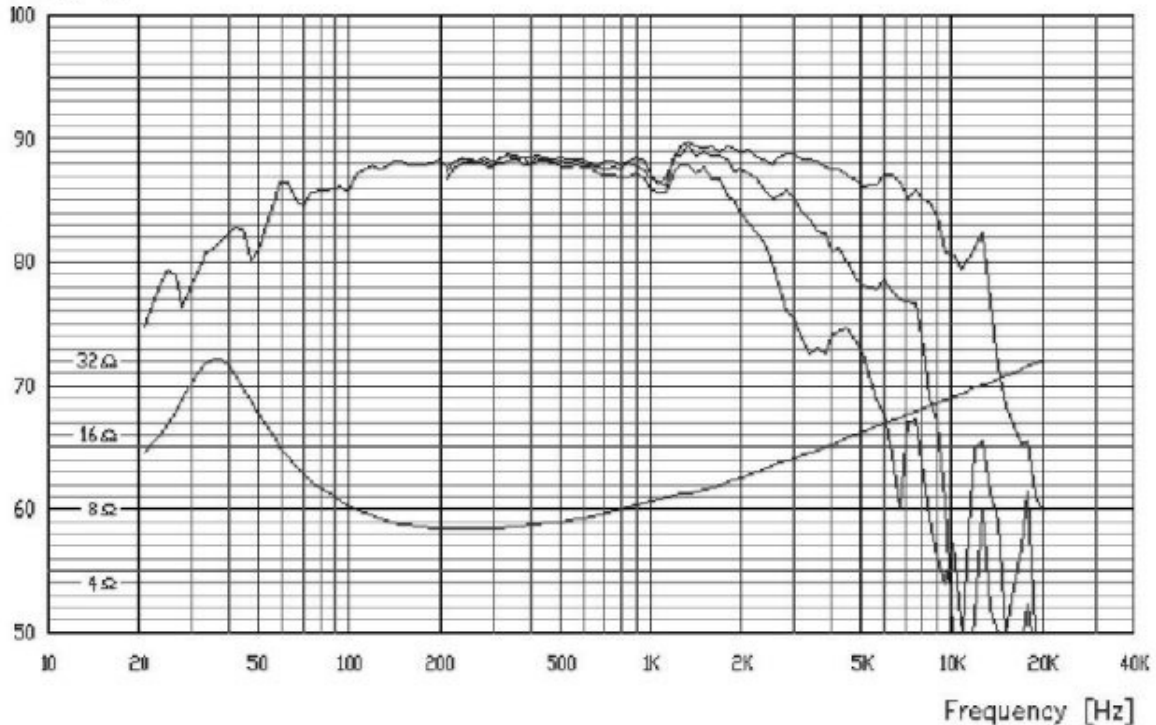
MG18SK09-08

Nominal impedance [ohm]	8
Voice coil resistance [ohm]	5.85
Nominal power [W]	-
Short term max power [W]	-
Long term max power [W]	-
Operating power [W]	-
Sensitivity [dB]	87
Frequency range [Hz]	40-5000
Free air resonance [Hz]	34
Voice coil diameter [mm]	25
Voice coil height [mm]	14
Air gap height [mm]	5
Voice coil inductance [mH]	0.88
Eff. diaphragm Area [cm ²]	138
Moving mass [g]	13
Magnet weight [g]/[oz]	-
Force factor [Bl]	6.22
VAS [l]	45
Qms	1.99
Qes	0.42
Qts	0.35

OD: 180 mm	CD: 145 mm
FT: 5 mm	ID: 89 mm
MD: 106 mm	HD: -



SPL [dB]



Frequency response: 2.83V / 1m