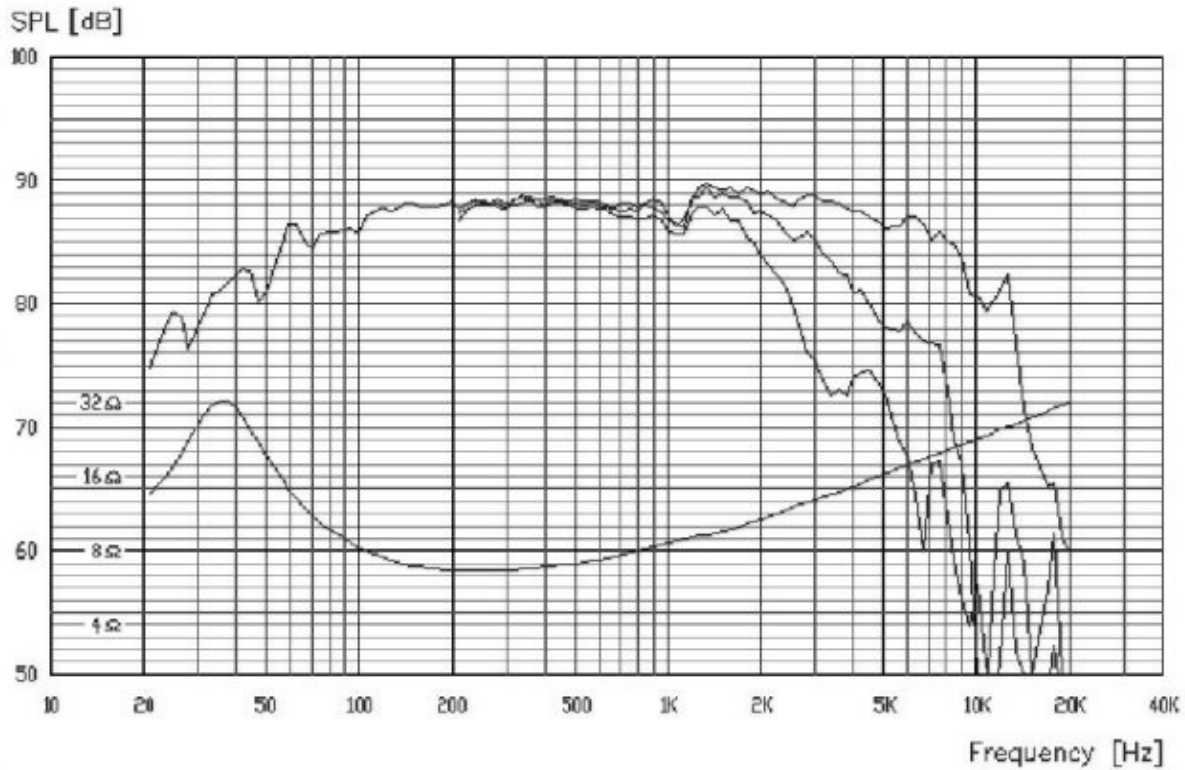
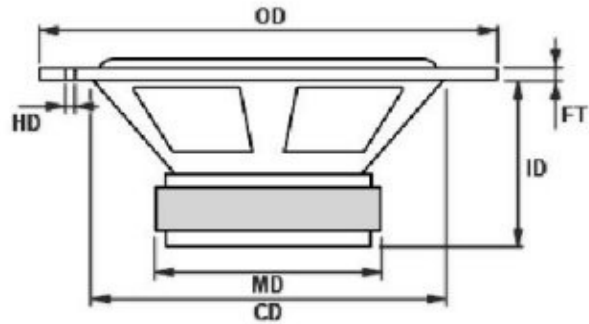


vifa

MG18WK09-08

Nominal impedance [ohm]	8
Voice coil resistance [ohm]	5.85
Nominal power [W]	60
Short term max power [W]	-
Long term max power [W]	-
Operating power [W]	-
Sensitivity [dB]	86.5
Frequency range [Hz]	40-5000
Free air resonance [Hz]	34
Voice coil diameter [mm]	25
Voice coil height [mm]	14.3
Air gap height [mm]	5
Voice coil inductance [mH]	0.88
Eff. diaphragm Area [cm ²]	138
Moving mass [g]	13
Magnet weight [g]/[oz]	-
Force factor [Bl]	6.2
VAS [l]	45
Qms	1.96
Qes	0.41
Qts	0.34

OD:	180 mm	CD:	145 mm
FT:	5 mm	ID:	73 mm
MD:	86.5 mm	HD:	-



Frequency response: 2.83V / 1m