

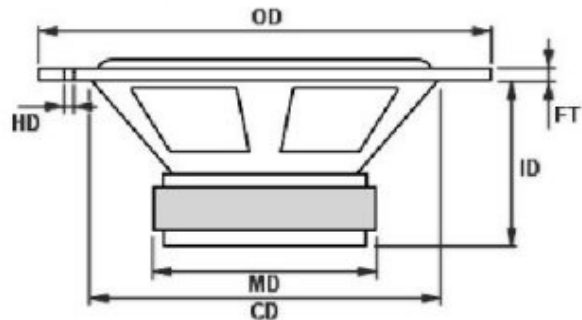
vifa

MG22W009-08

Nominal impedance [ohm]	8
Voice coil resistance [ohm]	5.5
Nominal power [W]	-
Short term max power [W]	-
Long term max power [W]	-
Operating power [W]	-
Sensitivity [dB]	88.5
Frequency range [Hz]	20-3000
Free air resonance [Hz]	21
Voice coil diameter [mm]	40
Voice coil height [mm]	17.6
Air gap height [mm]	6
Voice coil inductance [mH]	1.05
Eff. diaphragm Area [cm ²]	235
Moving mass [g]	29
Magnet weight [g]/[oz]	-
Force factor [Bl]	8.85
VAS [l]	154
Qms	1.60
Qes	0.27
Qts	0.23



OD: 225 mm	CD: 186 mm
FT: 5 mm	ID: 89 mm
MD: 113 mm	HD: -



SPL [dB]

