

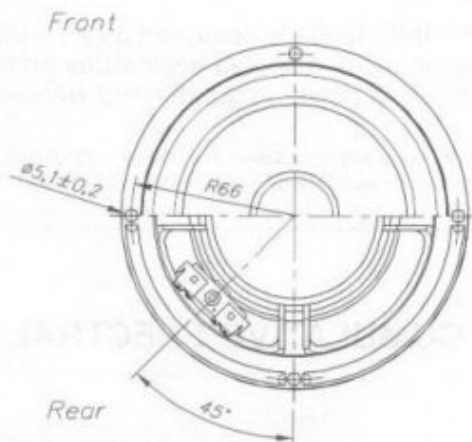
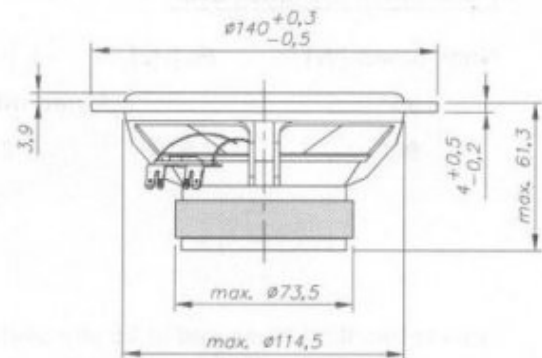
5" MIDRANGE

P13MG-10-04

SPECIAL FEATURES:

- MINERAL FILLED POLY CONE
- VERY LOW DISTORTION
- SMOOTH ROLL OFF
- OPTIMIZED OFF AXIS RESPONSE
- NEUTRAL MIDRANGE REPRODUCTION
- OPTIMIZED FOR CAR USE

NOMINAL IMPEDANCE	4 Ω
VOICE COIL RESISTANCE	3.0 Ω
NOMINAL POWER (IEC 268-5)	25 W ¹⁾
SHORT TERM MAX. POWER (IEC 268-5)	650 W ²⁾
LONG TERM MAX. POWER (IEC 268-5)	120 W ³⁾
OPERATING POWER	7.9 W
SENSITIVITY (1W, 1m) / (2.83V, 1m)	87/90 dB
FREQUENCY RANGE	0.2 - 6 kHz
FREE AIR RESONANCE	80 Hz
VOICE COIL DIAMETER	25 mm
VOICE COIL HEIGHT	8 mm
AIR GAP HEIGHT	6 mm
VOICE COIL INDUCTANCE	0.4 mH
EFFECTIVE CONE AREA	86 cm ²
MOVING MASS (incl. air)	7.0 g
MAGNET WEIGHT (8.5 oz)	240 g
FORCE FACTOR, B x L	4.0 Txm
Vas	5.7 ltr
Qms	2.70
Qes	0.67
Qts	0.54



P13MG-10-04

DISPERSION PLOT
0, 30 and 60 deg.

Input: 2.83 V
Mic.: 1 m

1,8 ltr. box mounted in
infinite baffle.

27.01.95 BD

Anechoic room 6x7x8 meters.
Half space free-field above 100 Hz.
Brüel & Kjær 2012 Audio Analyzer.

