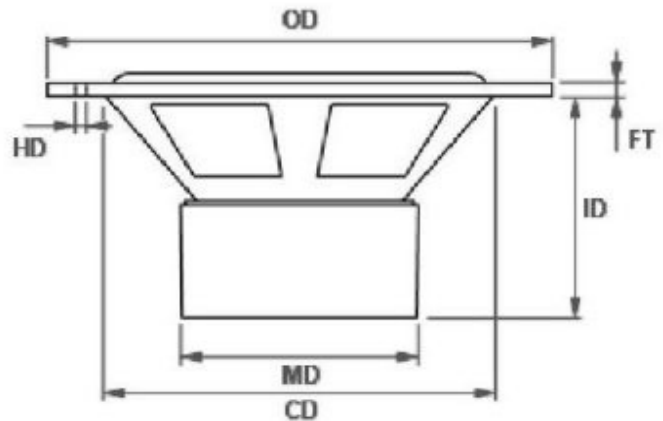




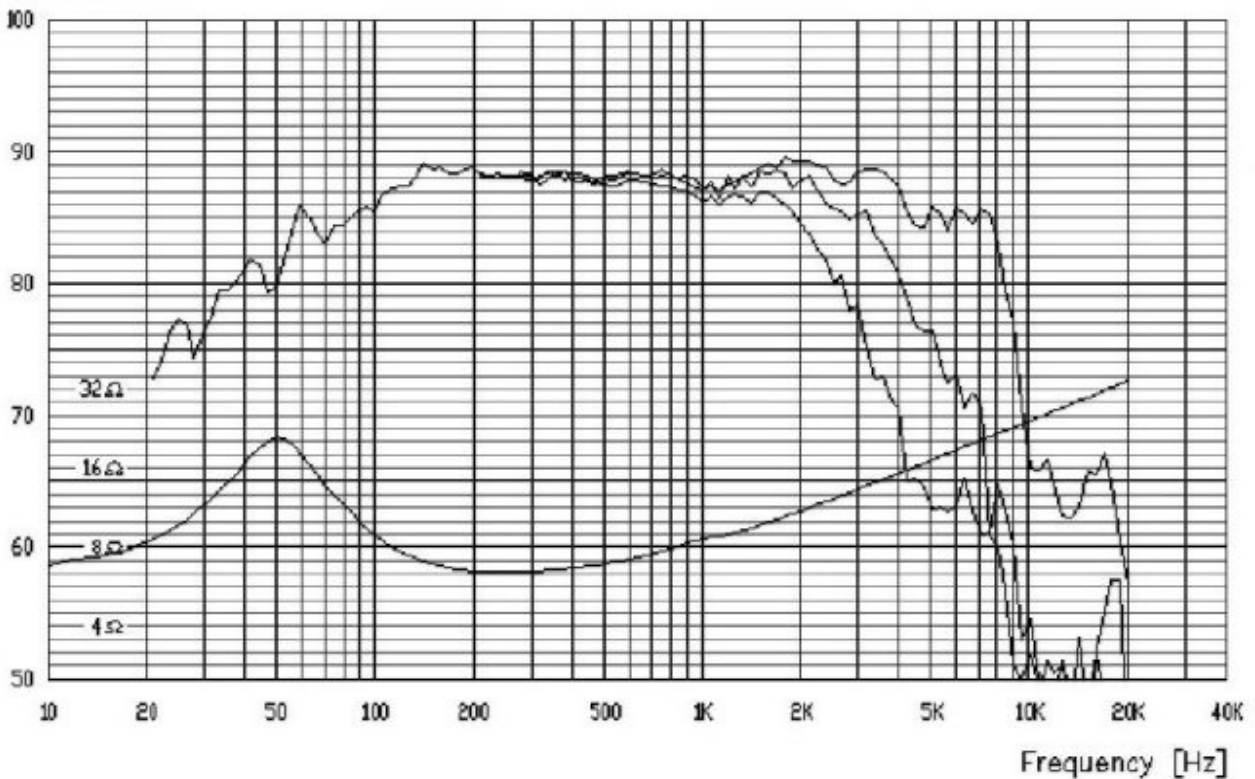
P17SJ-00-08

| | |
|--|----------|
| Nominal impedance [ohm] | 8 |
| Voice coil resistance [ohm] | 5.6 |
| Nominal power [W] | 20 |
| Short term max power [W] | 350 |
| Long term max power [W] | 150 |
| Operating power [W] | 8 |
| Sensitivity [dB] | 87 |
| Frequency range [Hz] | 35-5000 |
| Free air resonance [Hz] | 41 |
| Voice coil diameter [mm] | 32 |
| Voice coil height [mm] | 14 |
| Air gap height [mm] | 6 |
| Voice coil inductance [mH] | 0.84 |
| Eff. diaphragm Area [cm ²] | 136 |
| Moving mass [g] | 12 |
| Magnet weight [g]/[oz] | 721/25.4 |
| Force factor [Bl] | 6 |
| VAS [l] | 33 |
| Qms | 1.28 |
| Qes | 0.48 |
| Qts | 0.35 |

| | |
|-------------|---------------|
| OD: 170 mm | CD: 146 mm |
| FT: 4.6 mm | ID: 88.5 mm |
| MD: 97.1 mm | HD: 4xø5@ø162 |



SPL [dB]



Frequency response: 2.83V / 1m