

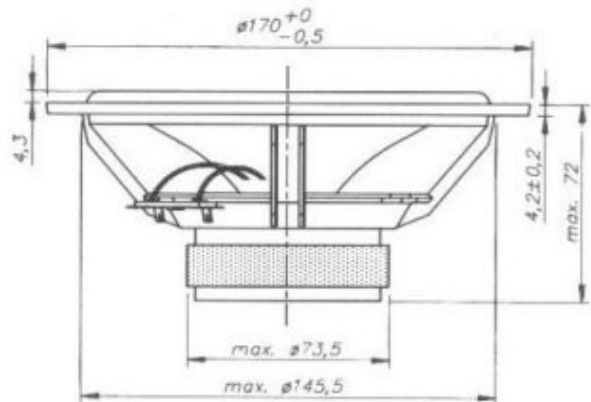
# 6½" WOOFER

# P17WG-09-04

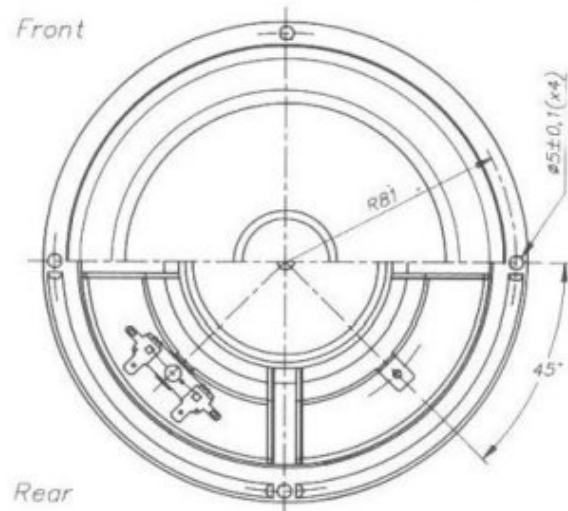
## SPECIAL FEATURES:

- MAGNESIUM BASKET
- MINERAL FILLED POLYCONE
- LOW DAMPING RUBBER SURROUND
- SMOOTH ROLL OFF
- VENTED THROUGH POLE PIECE
- OPTIMIZED FOR CAR USE

NOMINAL IMPEDANCE	4 Ω
NOMINAL POWER (IEC 268-5)	50 W
MUSIC POWER (DIN 45500)	70 W
FREQUENCY RANGE	64-4000 Hz
SENSITIVITY (1W, 1m)	86 dB
EFFECTIVE CONE AREA	136 cm <sup>2</sup>
VOICE COIL RESISTANCE	3,0 Ω
VOICE COIL INDUCTANCE	0,5 mH
OPERATING POWER	10 W
VOICE COIL DIAMETER	25 mm
VOICE COIL HEIGHT	12 mm
AIR GAP HEIGHT	6 mm
FREE AIR RESONANCE	64 Hz
MOVING MASS (incl. air)	11 g
FORCE FACTOR, B x l	3,9 Txm
MAGNET WEIGHT (8,5 oz)	240 g
Qms	2,61
Qes	0,88
Qts	0,66
Vas	14,4 ltr



Front



Rear

