

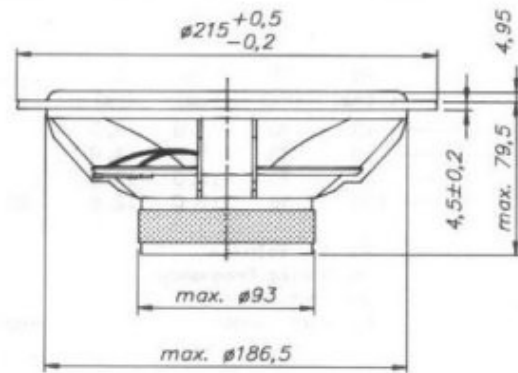
8" WOOFER

P21WN-20-08

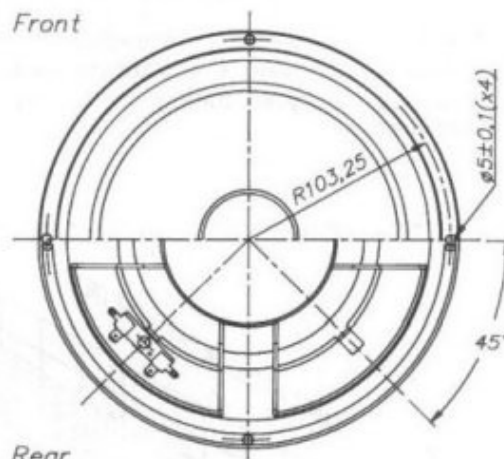
SPECIAL FEATURES:

- MAGNESIUM BASKET
- MINERAL FILLED POLYCONE
- HIGH DAMPING RUBBER SURROUND
- HIGH TEMPERATURE VOICE COIL
- VERY SMOOTH FREQUENCY RESPONSE
- IDEAL FOR BASS REFLEX

NOMINAL IMPEDANCE	8 Ω
NOMINAL POWER (IEC 268-5)	80 W
MUSIC POWER (DIN 45500)	120 W
FREQUENCY RANGE	25-4000 Hz
SENSITIVITY (1W, 1m)	89 dB
EFFECTIVE CONE AREA	235 cm ²
VOICE COIL RESISTANCE	5,7 Ω
VOICE COIL INDUCTANCE	0,9 mH
OPERATING POWER	5 W
VOICE COIL DIAMETER	40 mm
VOICE COIL HEIGHT	14 mm
AIR GAP HEIGHT	6 mm
FREE AIR RESONANCE	28 Hz
MOVING MASS (incl. air)	22,5 g
FORCE FACTOR, B x l	6,6 Txm
MAGNET WEIGHT (14,6 oz)	415 g
Qms	1,6
Qes	0,52
Qts	0,39
Vas	113 ltr



Front



Rear

