

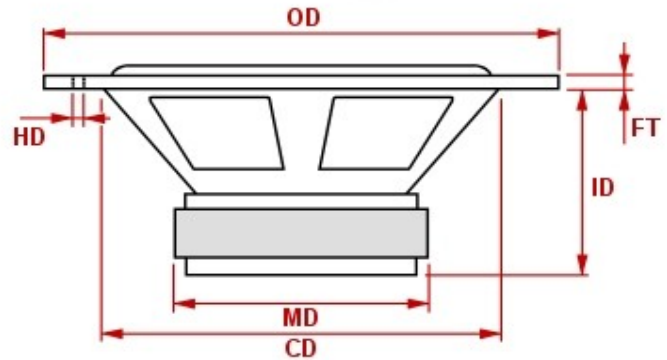


## P21WO-39-08

Nominal impedance [ohm]	8
Voice coil resistance [ohm]	5.5
Nominal power [W]	80
Short term max power [W]	-
Long term max power [W]	-
Operating power [W]	6.3
Sensitivity [dB]	88
Frequency range [Hz]	25-2000
Free air resonance [Hz]	26
Voice coil diameter [mm]	40
Voice coil height [mm]	18
Air gap height [mm]	6
Voice coil inductance [mH]	1.0
Eff. diaphragm Area [cm <sup>2</sup> ]	235
Moving mass [g]	32
Magnet weight [g]/[oz]	698/24.6
Force factor [Bl]	8.5
VAS [l]	85
Qms	2.38
Qes	0.44
Qts	0.37

### SPECIAL FEATURES:

- Magnesium basket
- Mineral filled polycone
- Rubber surround
- Long throw / low distortion motor
- Very smooth frequency response
- Optimized for bass reflex



OD: 215 mm	CD: 187 mm
FT: 4.5 mm	ID: 82.1 mm
MD: 113 mm	HD: 4xø5@ø206.5

