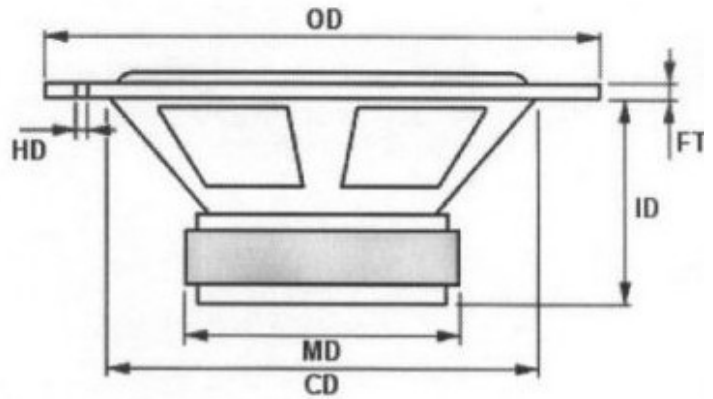
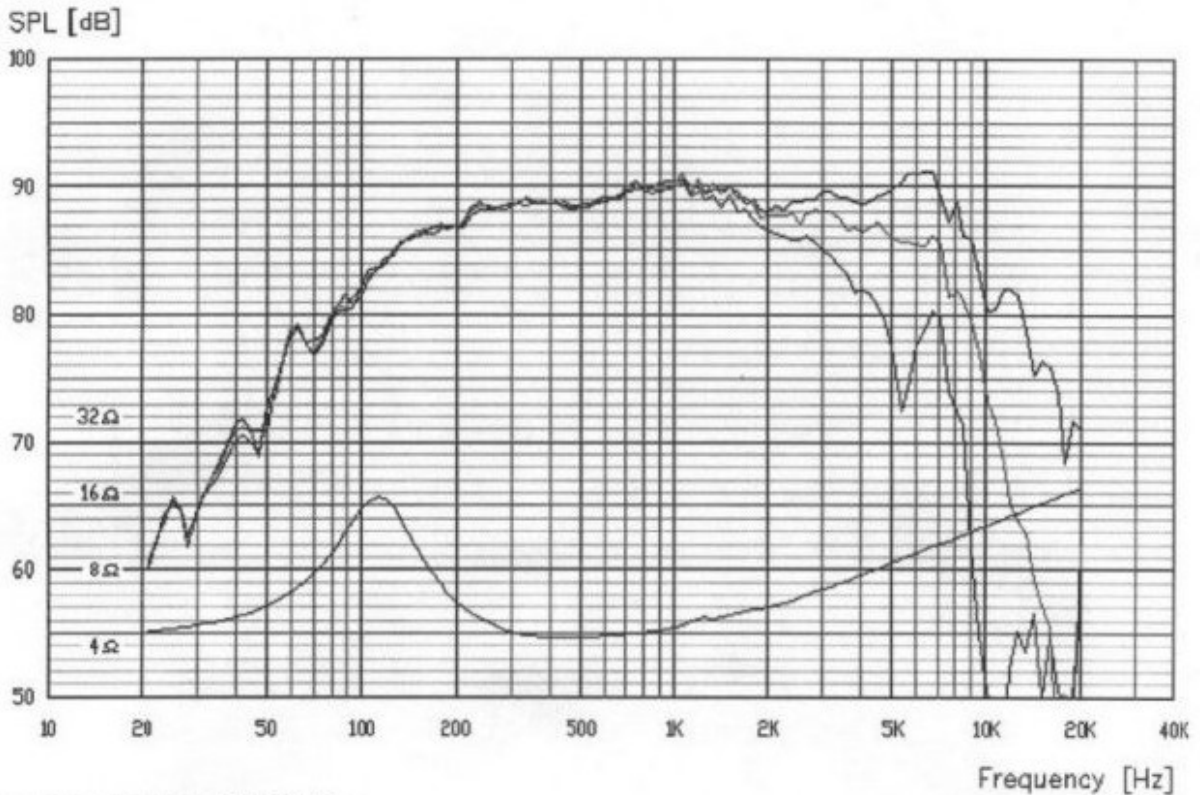


Nominal impedance [ohm]	4
Voice coil resistance [ohm]	3.0
Nominal power [W]	35
Short term max power [W]	140
Long term max power [W]	80
Operating power [W]	10
Sensitivity [dB]	89
Frequency range [Hz]	70-5000
Free air resonance [Hz]	67
Voice coil diameter [mm]	25
Voice coil height [mm]	10
Air gap height [mm]	4
Voice coil inductance [mH]	0.31
Eff. diaphragm Area [cm <sup>2</sup> ]	58
Moving mass [g]	6.4
Magnet weight [g]/[oz]	415/14.6
Force factor [Bl]	4.7
VAS [l]	4.25
Qms	1.80
Qes	0.36
Qts	0.30



OD: 125 mm	CD: 101 mm
FT: -	ID: -
MD: -	HD: 5 mm



Frequency response: 2.83V / 1m