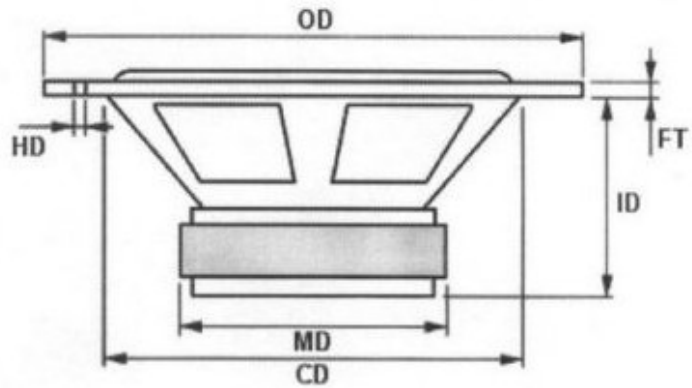
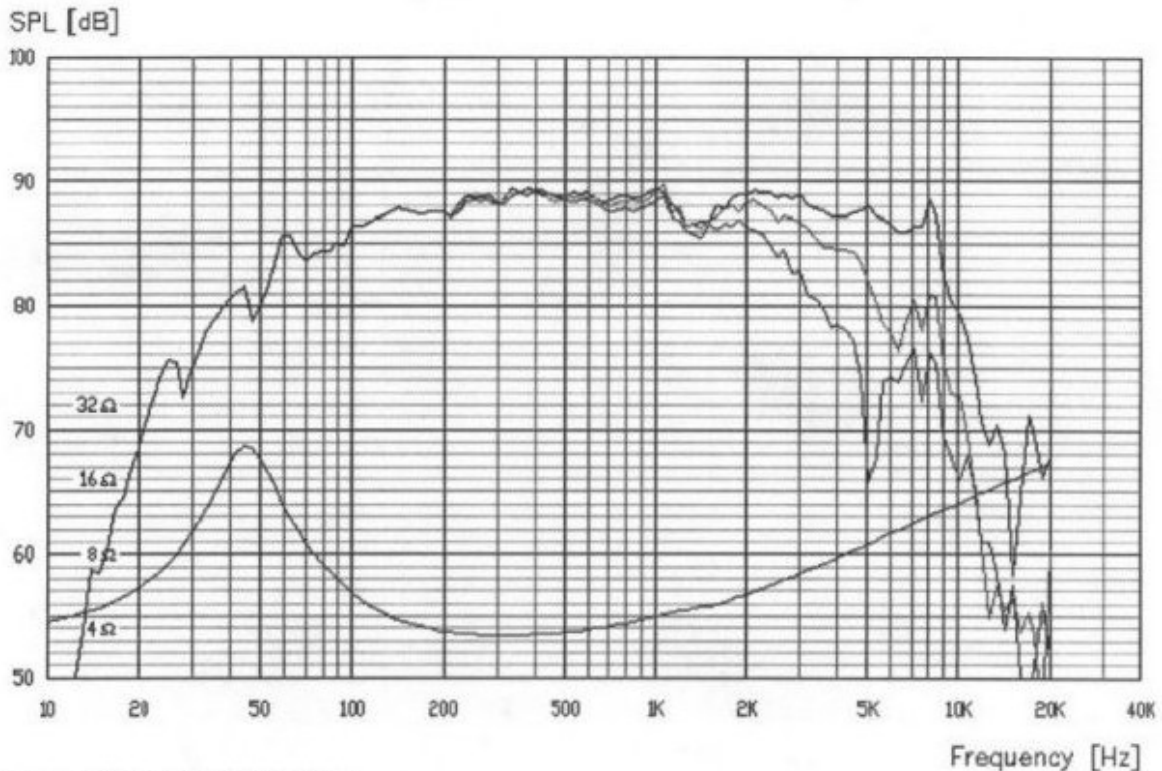


Nominal impedance [ohm]	4
Voice coil resistance [ohm]	3.1
Nominal power [W]	50
Short term max power [W]	250
Long term max power [W]	200
Operating power [W]	12.6
Sensitivity [dB]	88
Frequency range [Hz]	45-5000
Free air resonance [Hz]	45
Voice coil diameter [mm]	32
Voice coil height [mm]	10
Air gap height [mm]	4
Voice coil inductance [mH]	0.33
Eff. diaphragm Area [cm ²]	80
Moving mass [g]	9.0
Magnet weight [g]/[oz]	415/14.5
Force factor [Bl]	4.5
VAS [l]	13
Qms	2.31
Qes	0.39
Qts	0.33



OD: 149 mm	CD: 115 mm
FT: 4.5 mm	ID: 61 mm
MD: 86.5 mm	HD: -



Frequency response: 2.83V / 1m