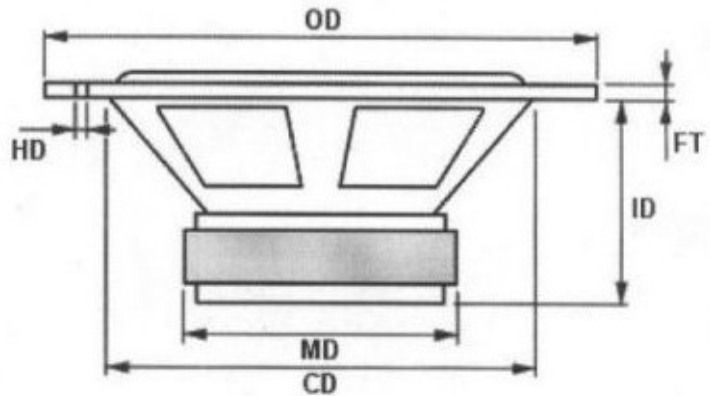
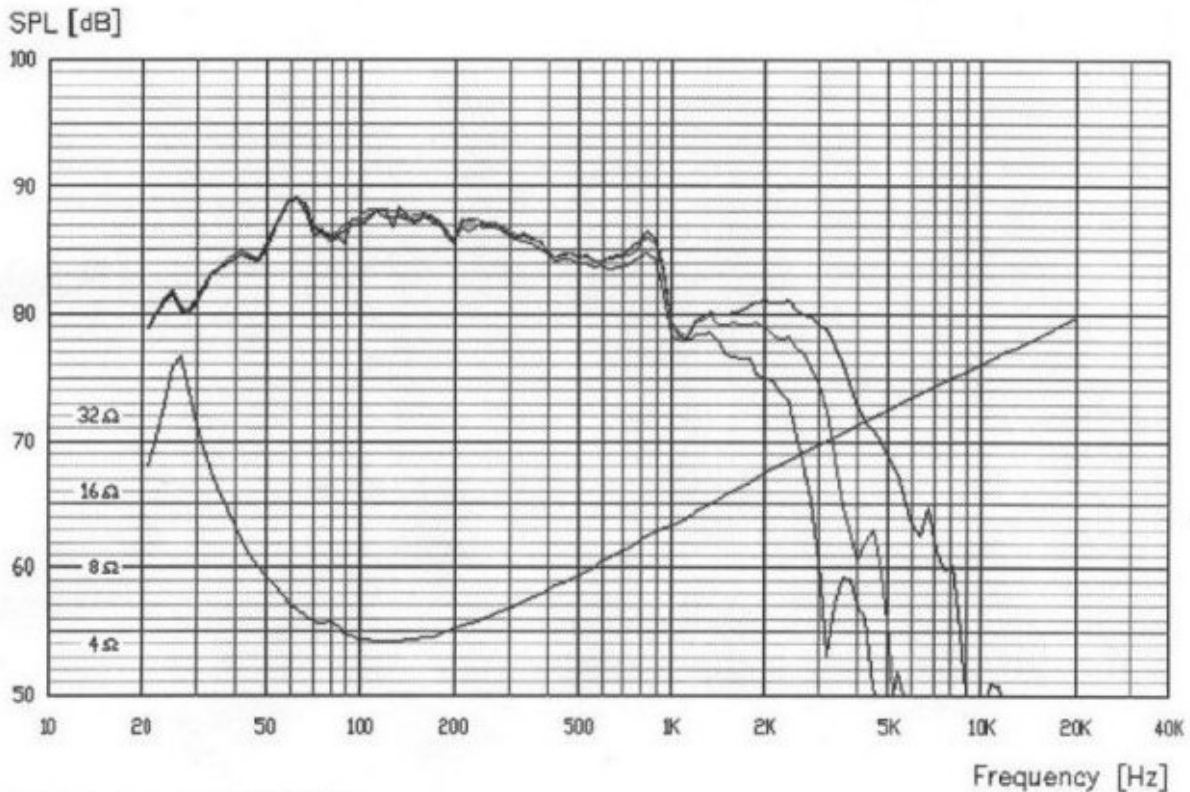


Nominal impedance [ohm]	4
Voice coil resistance [ohm]	3.2
Nominal power [W]	125
Short term max power [W]	600
Long term max power [W]	350
Operating power [W]	15.9
Sensitivity [dB]	87
Frequency range [Hz]	25-500
Free air resonance [Hz]	26
Voice coil diameter [mm]	50
Voice coil height [mm]	16
Air gap height [mm]	8
Voice coil inductance [mH]	1.70
Eff. diaphragm Area [cm ²]	224
Moving mass [g]	47
Magnet weight [g]/[oz]	1050/37
Force factor [Bl]	8.7
VAS [l]	56
Qms	5.91
Qes	0.33
Qts	0.31



OD: 225 mm	CD: 186 mm
FT: 5 mm	ID: -
MD: -	HD: -



Frequency response: 2.83V / 1m