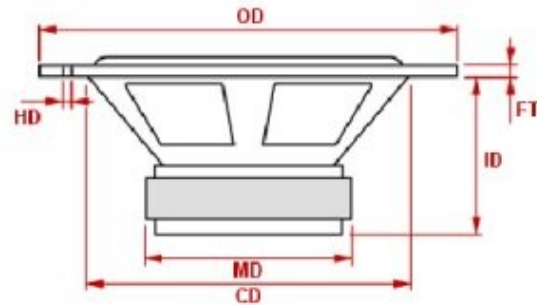


vifa

XT18WH09-08

Nominal impedance [ohm]	8
Voice coil resistance [ohm]	5.5
Nominal power [W]	-
Short term max power [W]	-
Long term max power [W]	-
Operating power [W]	-
Sensitivity [dB]	87
Frequency range [Hz]	-
Free air resonance [Hz]	38
Voice coil diameter [mm]	25
Voice coil height [mm]	14
Air gap height [mm]	4
Voice coil inductance [mH]	0.54
Eff. diaphragm Area [cm ²]	129
Moving mass [g]	10.7
Magnet weight [g]/[oz]	-
Force factor [BI]	5.5
VAS [l]	39
Qms	1.38
Qes	0.46
Qts	0.37



OD: 180 mm **CD: 147 mm**
FT: 1.7 mm **ID: 76 mm**
MD: 91.8 mm **HD: 6 x 5.2 @ 163**

