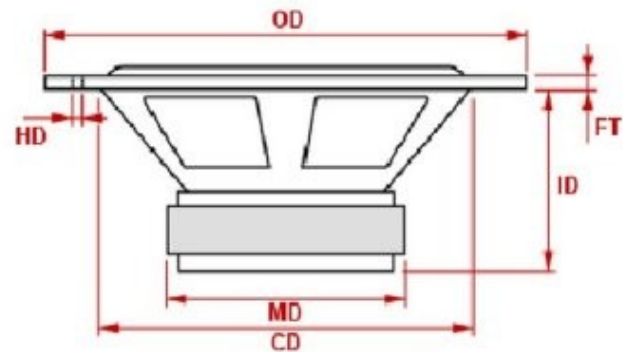


vifa

XT18W009-08

| | |
|--|------|
| Nominal impedance [ohm] | 8 |
| Voice coil resistance [ohm] | 5.8 |
| Nominal power [W] | - |
| Short term max power [W] | - |
| Long term max power [W] | - |
| Operating power [W] | - |
| Sensitivity [dB] | 88 |
| Frequency range [Hz] | - |
| Free air resonance [Hz] | 38 |
| Voice coil diameter [mm] | 25 |
| Voice coil height [mm] | 14 |
| Air gap height [mm] | 5 |
| Voice coil inductance [mH] | 0.54 |
| Eff. diaphragm Area [cm ²] | 129 |
| Moving mass [g] | 11.1 |
| Magnet weight [g]/[oz] | - |
| Force factor [Bl] | 6.2 |
| VAS [l] | 38 |
| Qms | 5.87 |
| Qes | 0.39 |
| Qts | 0.37 |



OD: 180 mm **CD: 147 mm**
FT: 1.7 mm **ID: mm**
MD: mm **HD: 6x 5.2 @ 163**

