

Model No: TC5FC07-04
 Product Line: Vifa

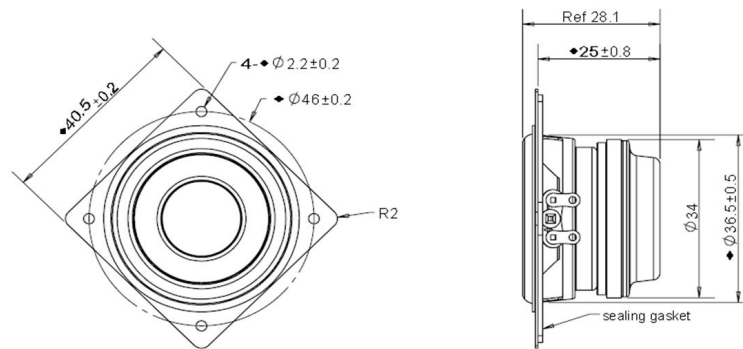
Rev: 1
 Last Update: 2015-10-22 21:29:56

Product Description

This TC family 1.5 inch 4 ohm full-range driver, with NdFeB magnet, paper cone and PU surround, and steel basket, is designed to be a high performance full range driver. The product was designed with television and other compact applications in mind.



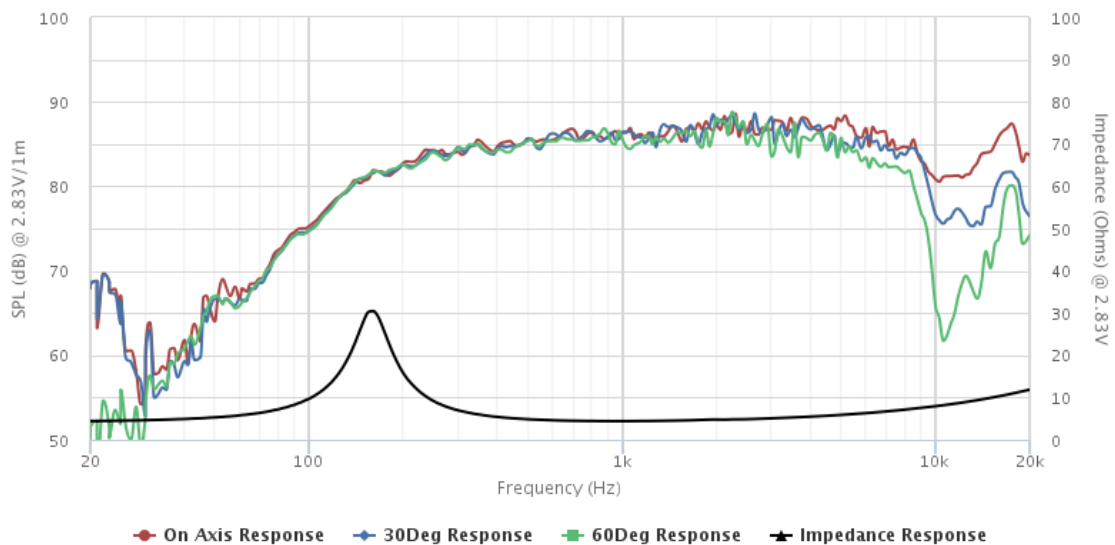
Mechanical Drawing



Specifications

DC Resistance	Revc	Ohms	3.52	5.0%	Energy Bandwidth Product	EBP	(1/Qes)*fs	
Minimum Impedance	Zmin	Ohms	4.41	7.5%	Moving Mass	Mms	g	0.7
Voice Coil Inductance	Le	mH	0.08		Suspension Compliance	Cms	um/N	1756.3
Resonant Frequency	Fs	Hz	145.74	15%	Effective Cone diameter	D	cm	
Mechanical Q Factor	Qms		4.41		Effective Piston Area	Sd	cm^2	7.8
Electrical Q Factor	Qes	0.51			Effective Volume	Vas	L	0.15
Total Q Factor	Qts	0.46			Motor Force Factor	BL	Tm	2.07
Ratio Fs/Qts	F	Fs/Qts	318.21		Motor Efficiency Factor	β	(T*M^2)/Ohms	1.2
Half Space Sensitivity @2.83V	db@2.83V/1M	dB	86.22	+/- 1.0db	Voice coil former Material	VCfm		KSV
Half Space Sensitivity @1W/1M	db@1W/1M	dB	83.6	+/- 1.0db	Voice coil inner diameter	VCd	mm	16.28
Gap Height	Gh	mm	2		Rated Noise Power	P	W	5
Maximum Linear Excursion	Xmax	mm	2		Test Spectrum Bandwidth		200-20KHz	
Ferrofluid Type	FF				Transducer Size	Inch	1.5 in	
Transducer Mass	Kg	0.08						

Frequency and Impedance Response



Highcharts.com