

# DSM 50 FFL - 8 Ohm

Art. No. 1163



**50 mm (2") High-End titanium dome driver** for the midrange band between 800 and 5000 Hz. Due to the enormously strong and ultra-light titanium dome and in conjunction with a highly damped surround, linear frequency response and no partial oscillations. Due to the enormously high magnetic flux in the ferrofluid-filled air-gap a high efficiency and high power handling are possible.

## Technical Data

Nominal impedance Z

8 Ohm

Frequency response

400–15000 Hz

Mean sound pressure level

90 dB (1 W/1 m)

Opening angle (-6 dB)

180°/4000 Hz

Resonance frequency  $f_s$

430 Hz

Magnetic induction

1.4 T

Magnetic flux

880  $\mu$ Wb

Height of front pole-plate

3.5 mm

Voice coil diameter

50 mm

Height of winding

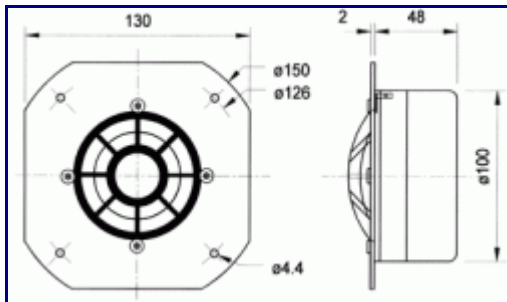
3 mm

Cutout diameter

106 mm  
Net weight  
1.26 kg  
D.C. resistance Rdc  
6.7 Ohm  
Mechanical Q factor Qms  
1.19  
Electrical Q factor Qes  
0.7  
Total Q factor Qts  
0.44  
Equivalent volume Vas  
0.05  
Effective piston area Sd  
20 cm<sup>2</sup>  
Dynamically moved mass Mms  
1.2 g  
Inductance of the voice coil L  
0.16 mH  
Peak power handling with high pass  
180 W (12 dB/Okt.; 800 Hz)  
Nominal power handling with high pass  
120 W (12 dB/Okt.; 800 Hz)

Hide data

Sketch



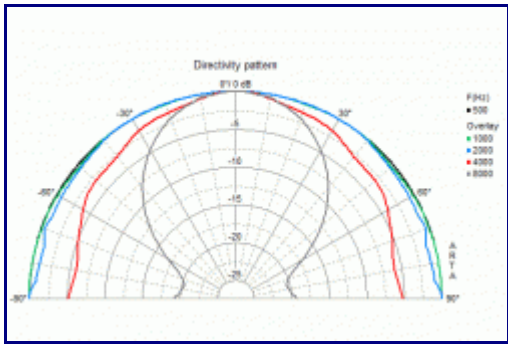
[Enlarge image](#)

Frequency- and impedance response



[Enlarge image](#)

Directivity pattern



[Enlarge image](#)

Waterfall spectrum

