

G 50 FFL - 8 Ohm



50 mm (2") High-End fabric dome driver for the midrange band between 800 and 7000 Hz. Due to the optimised dome shape with damping coating in conjunction with the highly damped surround, linear frequency response and no partial oscillations. Due to the powerful magnetic drive and the ferrofluid-cooled voice-coil high efficiency and high power handling can be guaranteed.

Technical Data

Nominal impedance Z

8 Ohm

Frequency response

300–12000 Hz

Mean sound pressure level

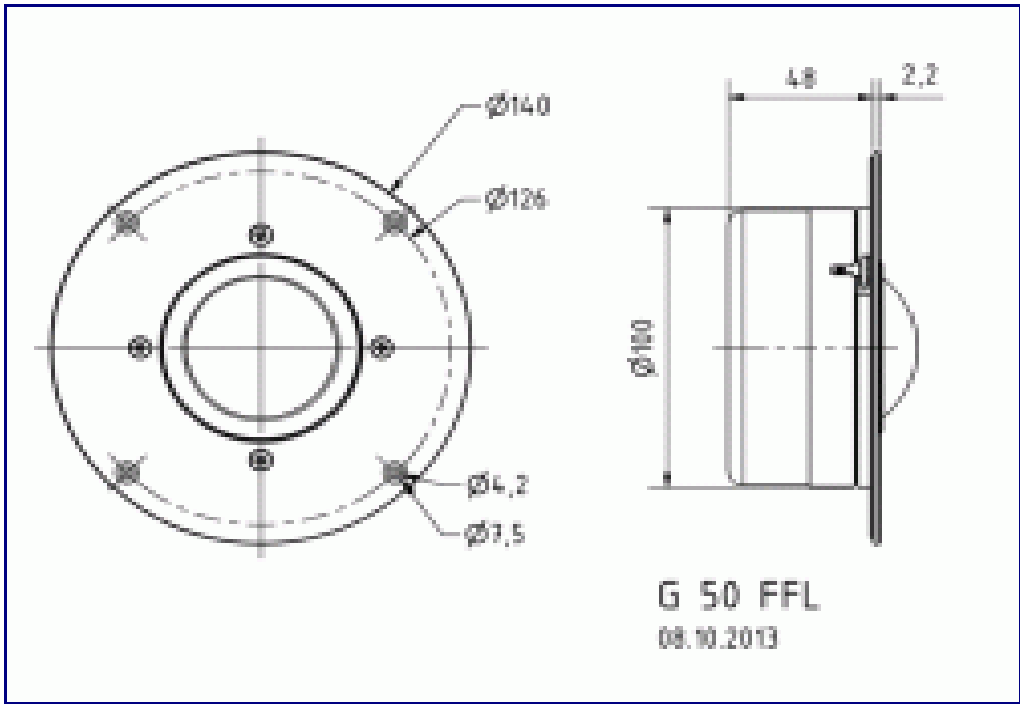
90 dB (1 W/1 m)

Opening angle (-6 dB)

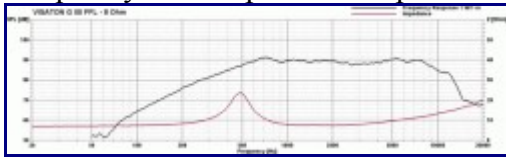
180°/4000 Hz

Show all data

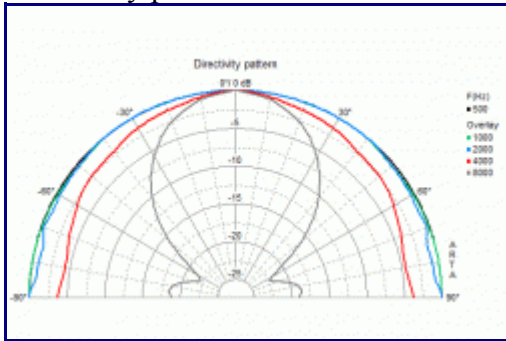
Sketch



Frequency- and impedance response



Directivity pattern



Waterfall spectrum

