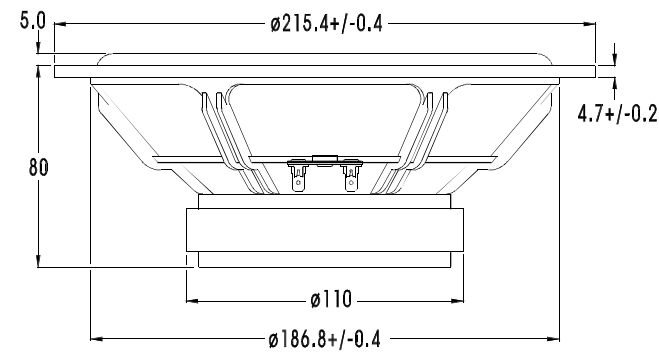
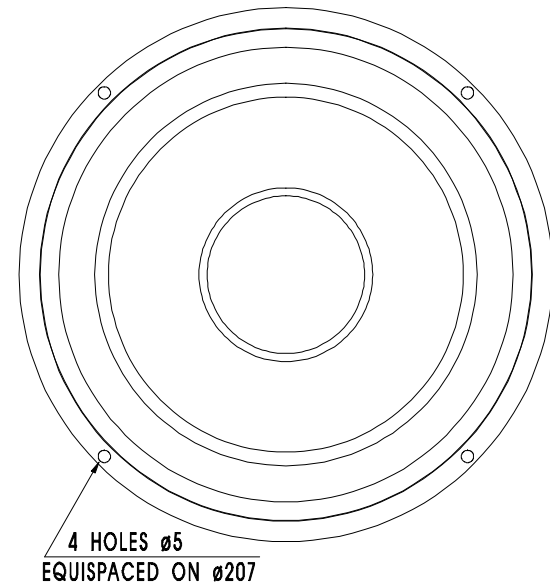


## WOOFER

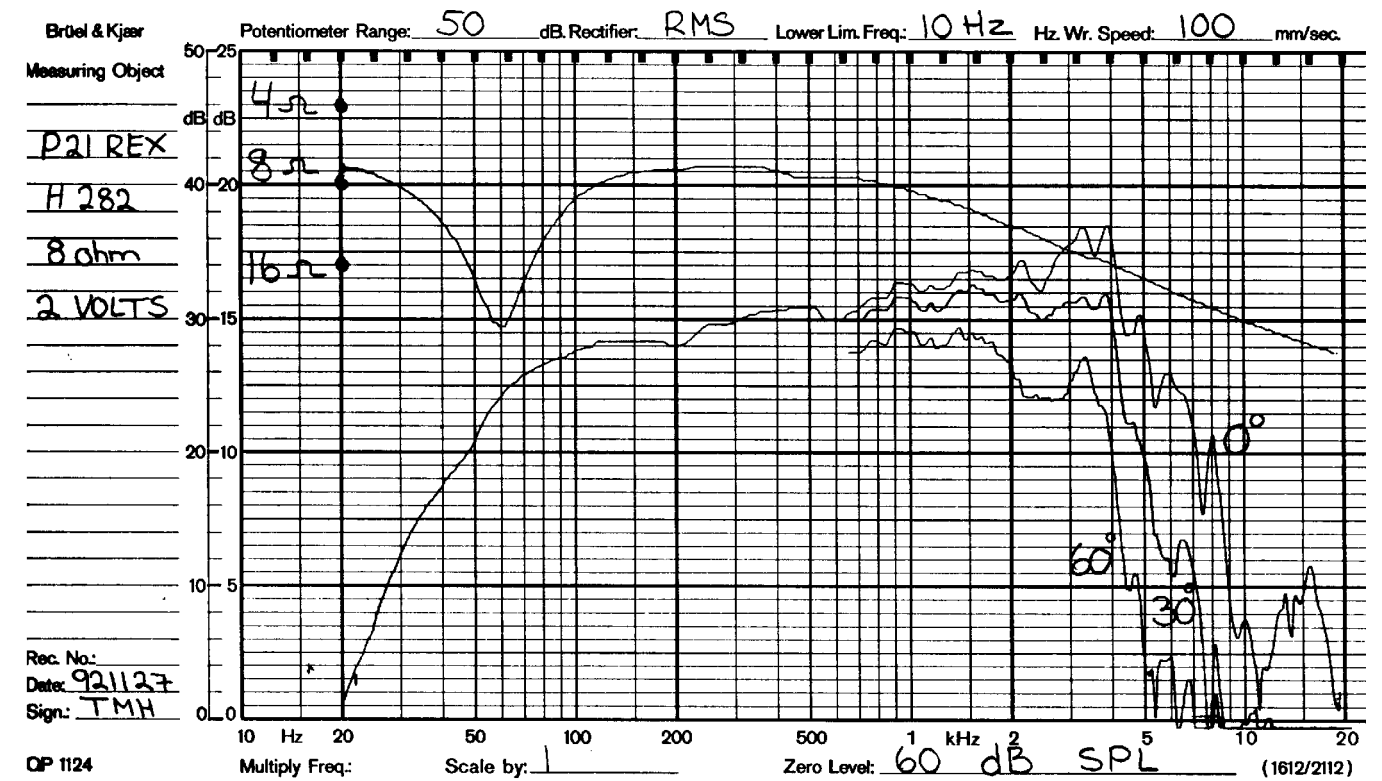
## P21REX



P21REX is an 8" High Fidelity woofer with an injection moulded metal chassis. Careful matching between a polypropylene cone, a polypropylene dust cap and a low loss rubber surround yields a smooth frequency response with a well behaved roll off. The magnet system has a T-shaped cross section of the pole piece for low modulation distortion. A relatively large voice coil diameter gives a high power handling capacity. This unit is also available with our patented Dynamic Damping (DD), which improves low bass transient behaviour at high power levels. (P21REX/DD H 296).

### NOTES

Response curve recorded in anechoic chamber (Free-field, 4 pi radiation) with 0.5m microphone distance. The loudspeaker is mounted in a closed box of 20 l net volume.



NOMINAL IMPEDANCE	8 Ohms	VOICE COIL RESISTANCE	6.1 Ohms
RECOMMENDED FREQUENCY RANGE	35-3000 Hz	VOICE COIL INDUCTANCE (EQUIVALENT)	0.6 mH
SHORT TERM MAXIMUM POWER *	250 W	FORCE FACTOR	8.5 N/A
LONG TERM MAXIMUM POWER *	80 W	FREE AIR RESONANCE	33 Hz
CHARACTERISTIC SENSITIVITY (1W,1m)	91 dB SPL	MOVING MASS	23 g
OPERATING POWER (96 dB SPL ,1 m)	3.2 W	AIR LOAD MASS IN IEC BAFFLE	2.0 g
		SUSPENSION COMPLIANCE	1.0 mm/N
VOICE COIL DIAMETER	39 mm	SUSPENSION MECHANICAL RESISTANCE	2.2 Ns/m
VOICE COIL HEIGHT	12 mm	EFFECTIVE PISTON AREA	230 sq.cm
AIR GAP HEIGHT	6.0 mm		
LINEAR COIL TRAVEL (p-p)	6.0 mm	VAS	68.9 Litres
MAXIMUM COIL TRAVEL (p-p)	20 mm	QMS	2.36
MAGNETIC GAP FLUX DENSITY	1.0 T	QES	0.44
MAGNET WEIGHT	0.64 Kg	QTS	0.37
TOTAL WEIGHT	1.89 Kg		

\* = IEC 268-5