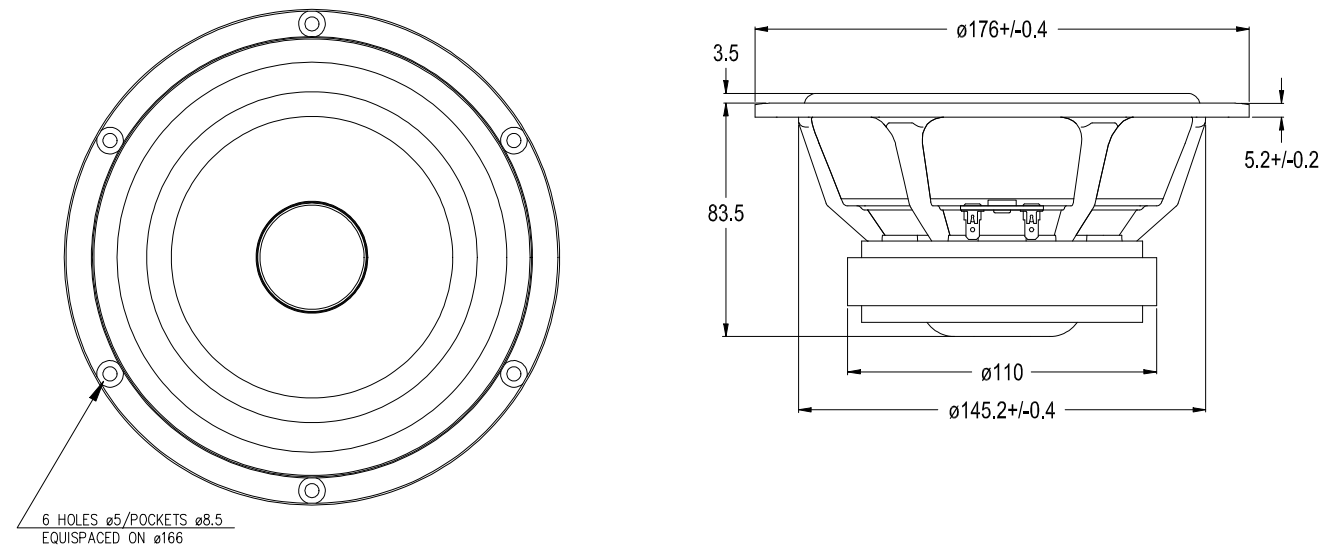


WOOFER

G18RNX/P



The G18RNX/P is an 18 cm (6,5") cone driver, developed for use as a long throw high fidelity woofer or woofer/midrange unit.

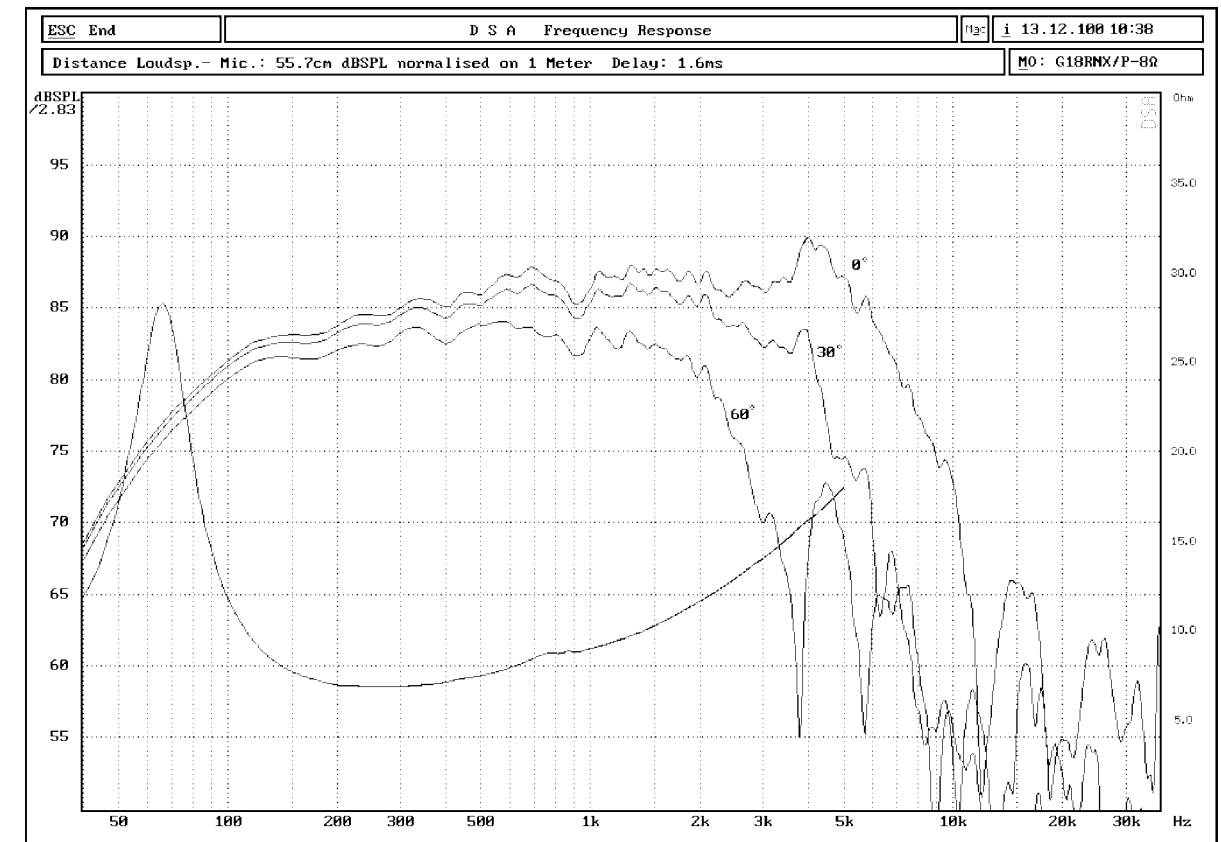
The light weight copper clad aluminium voice coil wire, a composite fibre glass cone, a bullet shaped phase plug and a natural rubber surround are carefully matched to each other, resulting in a smooth frequency response, and a clear, precise reproduction of the critical midrange area.

The large magnet system gives good transient response, and the bumped back plate together with the very long voice coil allows room for extreme coil excursion with low distortion.

The extremely stiff and stable injection moulded metal basket, keeps the critical components in perfect alignment. Large windows in the basket both above and below the spider reduce sound reflection, air flow noise and cavity resonance to a minimum.

NOTES

Response curve recorded in anechoic chamber (Free-field, 4 pi radiation) with 0.5m microphone distance.
The loudspeaker is mounted in a closed box of 12 l net. volume



NOMINAL IMPEDANCE	8 Ohms	VOICE COIL RESISTANCE	6.1 Ohms
RECOMMENDED FREQUENCY RANGE	38-3000 Hz	VOICE COIL INDUCTANCE (EQUIVALENT)	1.3 mH
SHORT TERM MAXIMUM POWER *	250 W	FORCE FACTOR	6.9 N/A
LONG TERM MAXIMUM POWER *	110 W	FREE AIR RESONANCE	34 Hz
CHARACTERISTIC SENSITIVITY (1W, 1m)	88.5 dB SPL	MOVING MASS	12.0 g
OPERATING POWER (96 dB SPL, 1 m)	5.6 W	AIR LOAD MASS IN IEC BAFFLE	0.8 g
		SUSPENSION COMPLIANCE	1.9 mm/N
VOICE COIL DIAMETER	39 mm	SUSPENSION MECHANICAL RESISTANCE	1.6 Ns/m
VOICE COIL HEIGHT	18 mm	EFFECTIVE PISTON AREA	126 sq.cm
AIR GAP HEIGHT	6.0 mm		
LINEAR COIL TRAVEL (p-p)	12 mm	VAS	38 Litres
MAXIMUM COIL TRAVEL (p-p)	22 mm	QMS	1.71
MAGNETIC GAP FLUX DENSITY	1,0 T	QES	0.35
MAGNET WEIGHT	0.64 Kg	QTS	0.29
TOTAL WEIGHT	1.87 Kg		

* = IEC 268-5