



11 F-G

11 F-G, 4 1/2" High Fidelity mini woofer.

Chassis: magnesium, injection moulded, black.

Surround: rubber.

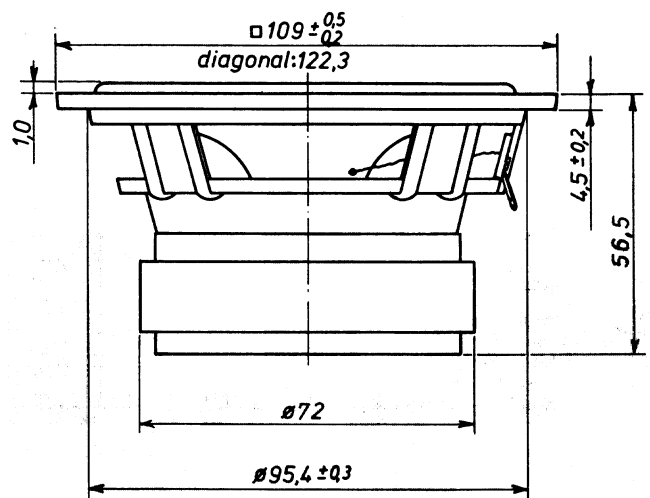
Cone: paper.

Dust Cap: paper.

Mounting holes: 4 x 5 mm, equispaced on PCD 113 mm

The 11 F-G is a mini woofer designed for use in very small cabinets. In a 4 litre ported system the lower limiting frequency can be as low as 50 Hz with good characteristic sensitivity. The unit has a surprising power handling capacity of up to 50 W and has useful response to beyond 5 kHz.

The 11 F-G can also be specially applied as a low resonance midrange unit.



Technical data:

8 ohms

Recommended frequency range	45 - 7000	Hz	Voice coil inductance	0,9	mH
Nominal power (DIN 45573)	30	W	Voice coil resistance	6,1	ohms
Music power (DIN 45 500)	50	W	Effective diaphragm area	55	cm ²
Characteristic sensitivity (1m, 1w)	86	dB SPL	Moving mass	4,2	g
Operating power (DIN 45500)	10	W	Air load mass in baffle	0,5	g
Voice coil diameter	26	mm	Free air resonance	65	Hz
Voice coil height	7,8	mm	Mechanical suspension resistance	1,4	Ns/m
Air gap height	6	mm	Thiele - small parameters		
Flux density	1,0	T	Vas	5	litres
Force factor	5,5	Wb/m	Qms	1,4	
Recommended enclosure volumes:			Qes	0,39	
Closed cabinet	2,5 - 4	litres	Qts	0,30	
Bass reflex cabinet	3-5	litres			
Weight	0,63	kg			
Magnet weight	0,25	kg			

NOTES: