

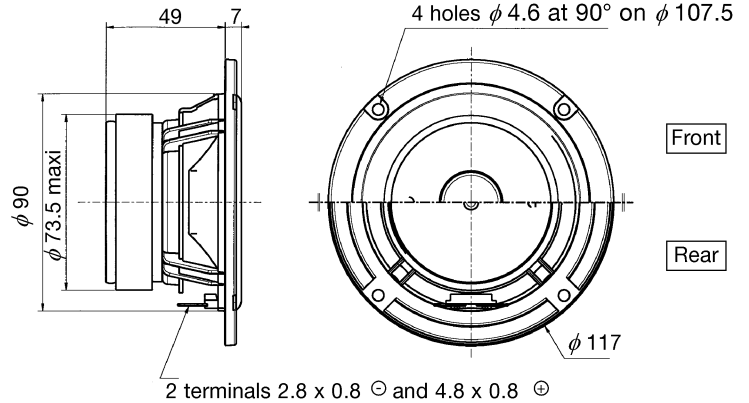
BASS MIDRANGE

HP100G0 M08PGP2511
102064M

4" Coated paper cone
High impact polymer chassis

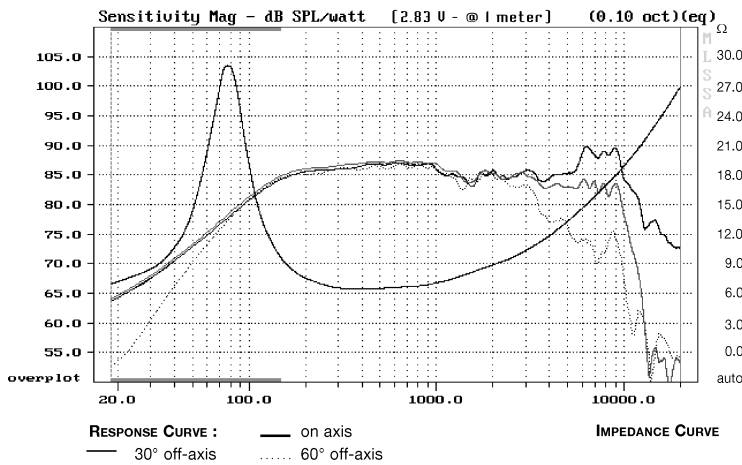


- Non resonant high impact polymer chassis
- High loss rubber surround
- Coated paper cone
- Built in cosmetic ring designed for front-rear and recessed mounting
- High temperature voice coil
- Aluminium former

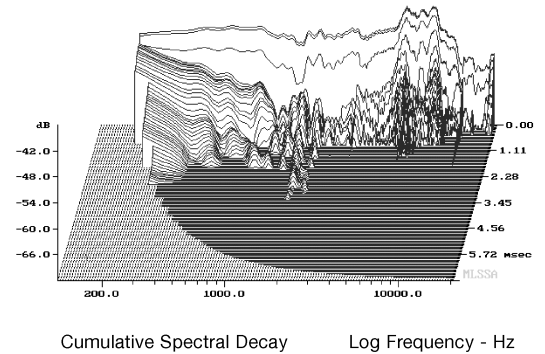


All dimensions in mm

Response Curve



Waterfall



SPECIFICATIONS

Technical characteristics	Symbol	Value	Units
PRIMARY APPLICATION			
Nominal Impedance	Z	6	Ω
Resonance Frequency	Fs	68	Hz
Nominal Power Handling	P	30	W
Sensitivity (2,83 V - 1m)	E	87	dB
VOICE COIL			
Voice Coil Diameter	ϕ	25	mm
Minimum Impedance	Zmin	6,2	Ω
DC Resistance	Dcr	5,7	Ω
Voice Coil Inductance	Lbm	0,57	mH
Voice Coil Length	h	9,4	mm
Former	-	Aluminium	-
Number of Layers	n	2	-
Wire type	-	round	-

MAGNET

Magnet Dimensions	$\phi \times h$	72 x 15	mm
Magnet Weight	m	0,245	kg
Flux Density	B	1	T
Force Factor	BL	5,07	NA ⁻¹
Height of Magnetic Gap	He	4	mm
Stray Flux	Fmag	-	Am ⁻¹
Linear Excursion	Xmax	$\pm 2,7$	mm

PARAMETERS

Suspension Compliance	Cms	1220	μmN
Mechanical Q Factor	Qms	1,81	-
Electrical Q Factor	Qes	0,41	-
Total Q Factor	Qts	0,34	-
Mechanical Resistance	Rms	1,05	kg s ⁻¹
Moving Mass	Mms	4,48	g
Effective Piston Area	S	50,27	cm ²
Volume Equivalent of Air at Cas	Vas	4,33	liters

Suggested Applications

Vb	Fb	Dp	Lp	F-3
liters	Hz	cm	cm	Hz
2	82,5	3	13,4	93,2
3	83,3	3	8	81,1