

## BASS MIDRANGE

HP170M0 W08PMP2511  
102003F

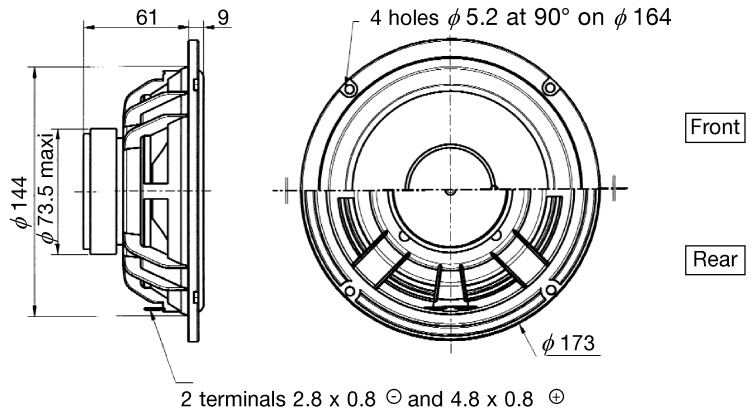
102090L

Dec .98

**6<sup>1/2</sup>" Paper cone**  
**High impact polymer chassis**

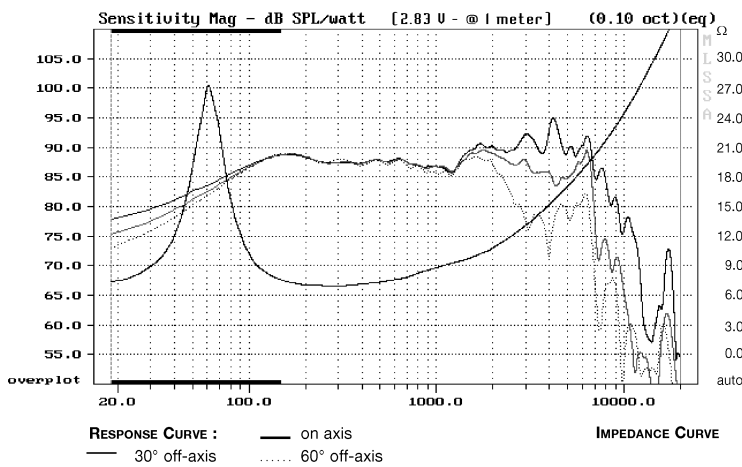


- Non resonant high impact polymer chassis
- Built in cosmetic ring designed for front-rear and recessed mounting
- High temperature voice coil
- Aluminium former
- Paper cone (virgin pulp)
- Foam suspension

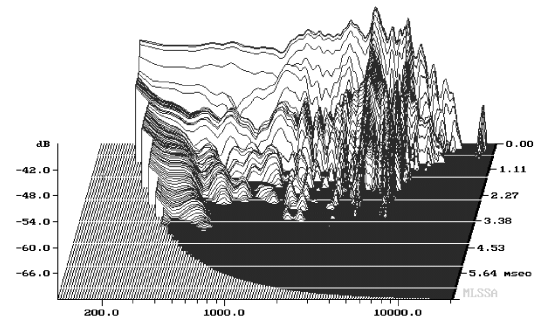


All dimensions in mm

## Response Curve



## Waterfall



## SPECIFICATIONS

Technical characteristics	Symbol	Value	Units
<b>PRIMARY APPLICATION</b>			
Nominal Impedance	Z	8	Ω
Resonance Frequency	Fs	62,3	Hz
Nominal Power Handling	P	45	W
Sensitivity (2,83 V - 1m)	E	88,3	dB
<b>VOICE COIL</b>			
Voice Coil Diameter	ϕ	25	mm
Minimum Impedance	Zmin	6,7	Ω
DC Resistance	Dcr	6,2	Ω
Voice Coil Inductance	Lbm	0,57	mH
Voice Coil Length	h	12	mm
Former	-	Aluminium	-
Number of Layers	n	2	-
Wire type	-	round	-

## MAGNET

Magnet Dimensions	ϕ x h	72 x 15	mm
Magnet Weight	m	0,245	kg
Flux Density	B	1	T
Force Factor	BL	5,27	NA <sup>-1</sup>
Height of Magnetic Gap	He	4	mm
Stray Flux	Fmag	-	Am <sup>-1</sup>
Linear Excursion	Xmax	± 4	mm

## PARAMETERS

Suspension Compliance	Cms	660	µm/N
Mechanical Q Factor	Qms	3,12	-
Electrical Q Factor	Qes	0,90	-
Total Q Factor	Qts	0,70	-
Mechanical Resistance	Rms	1,24	kg s <sup>-1</sup>
Moving Mass	Mms	9,89	g
Effective Piston Area	S	132,73	cm <sup>2</sup>
Volume Equivalent of Air at Cas	Vas	16,34	liters

## Suggested Applications

Vb	Fb	Dp	Lp	F-3
liters	Hz	cm	cm	Hz
30	-	-	-	65,0
-	-	-	-	-