

## 5 1/4" Midwoofer



Type Number: MG14SK09-08

### Features:

Driver Highlights: 5 1/2" midwoofer, glass fibre cone, magnesium chassis, magnetically shielded



### Specs: *DISCONTINUED - ARCHIVED*

#### Electrical Data

|                       |      |      |     |
|-----------------------|------|------|-----|
| Nominal impedance     | Zn   | 8    | ohm |
| Minimum impedance     | Zmin | --   | ohm |
| Maximum impedance     | Zo   | --   | ohm |
| DC resistance         | Re   | 5.6  | ohm |
| Voice coil inductance | Le   | 0.78 | mH  |

#### T-S Parameters

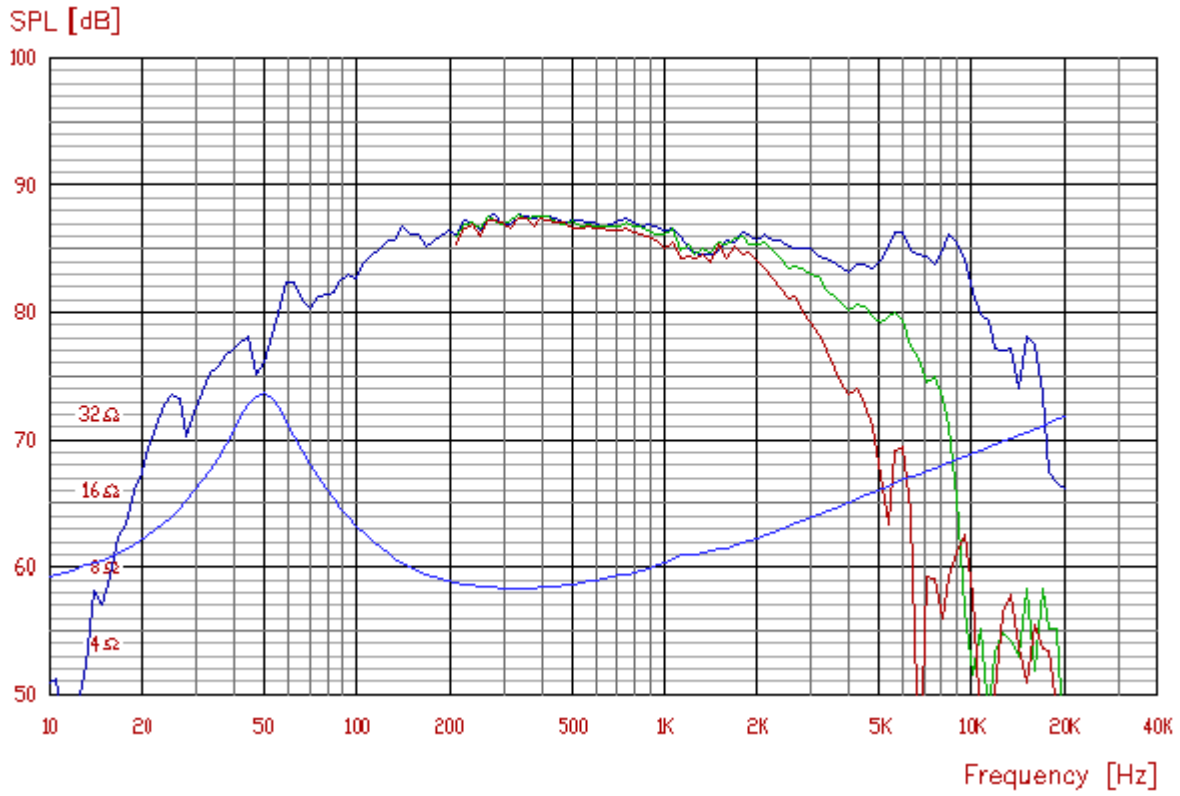
|                         |     |      |                 |
|-------------------------|-----|------|-----------------|
| Resonance Frequency     | fs  | 46   | Hz              |
| Mechanical Q factor     | Qms | 2.16 |                 |
| Electrical Q factor     | Qes | 0.36 |                 |
| Total Q factor          | Qts | 0.31 |                 |
| Ratio fs/Qts            | F   | --   |                 |
| Force factor            | Bl  | 6.3  | Tm              |
| Mechanical resistance   | Rms | --   | Kg/s            |
| Moving mass             | Mms | 8.5  | g               |
| Suspension compliance   | Cms | --   | mm/N            |
| Effective cone diameter | D   | --   | cm              |
| Effective piston area   | Sd  | 80   | cm <sup>2</sup> |
| Equivalent volume       | Vas | 11.7 | ltrs            |
| Sensitivity             |     | 87   | dB              |
| Ratio BL/√(Re)          |     | --   |                 |

#### Power handling

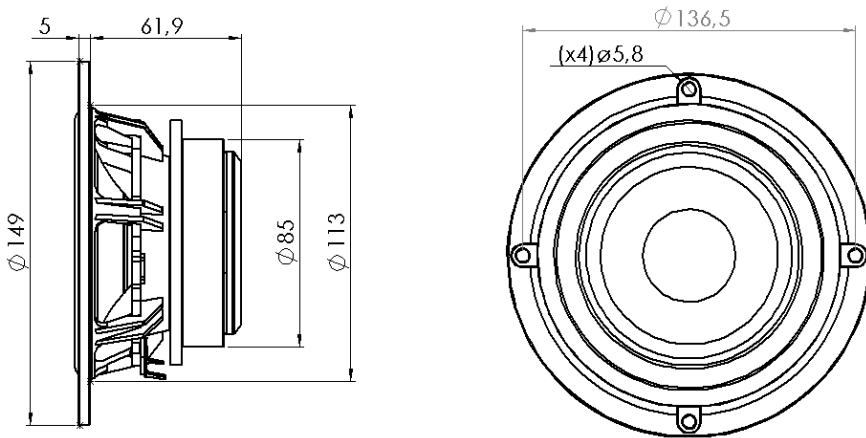
|                                  |    |      |
|----------------------------------|----|------|
| 100h RMS noise test (IEC)        | -- | W    |
| Long-term Max System Power (IEC) | -- | W    |
| Max linear SPL (rms) @ power     | -- | dB/W |
| Short Term Max power             | -- | W    |

#### Voice Coil and Magnet Parameters

|                         |    |     |
|-------------------------|----|-----|
| Voice coil diameter     | 25 | mm  |
| Voice coil height       | 12 | mm  |
| Voice coil layers       | -- |     |
| Height of the gap       | 5  | mm  |
| Linear excursion +/-    | -- | mm  |
| Max mech. excursion +/- | -- | mm  |
| Flux density of gap     | -- | mWb |
| Total useful flux       | -- | mWb |
| Diameter of magnet      | -- | mm  |
| Height of magnet        | -- | mm  |
| Weight of magnet        | -- | Kg  |



**Mechanical Dimensions:**



MG14SK09-04  
MG14SK09-08