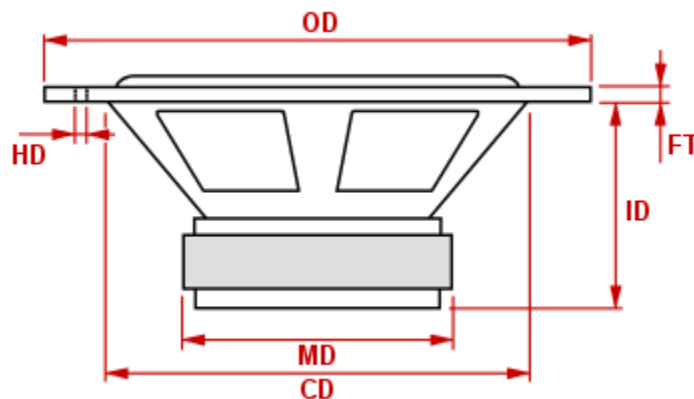




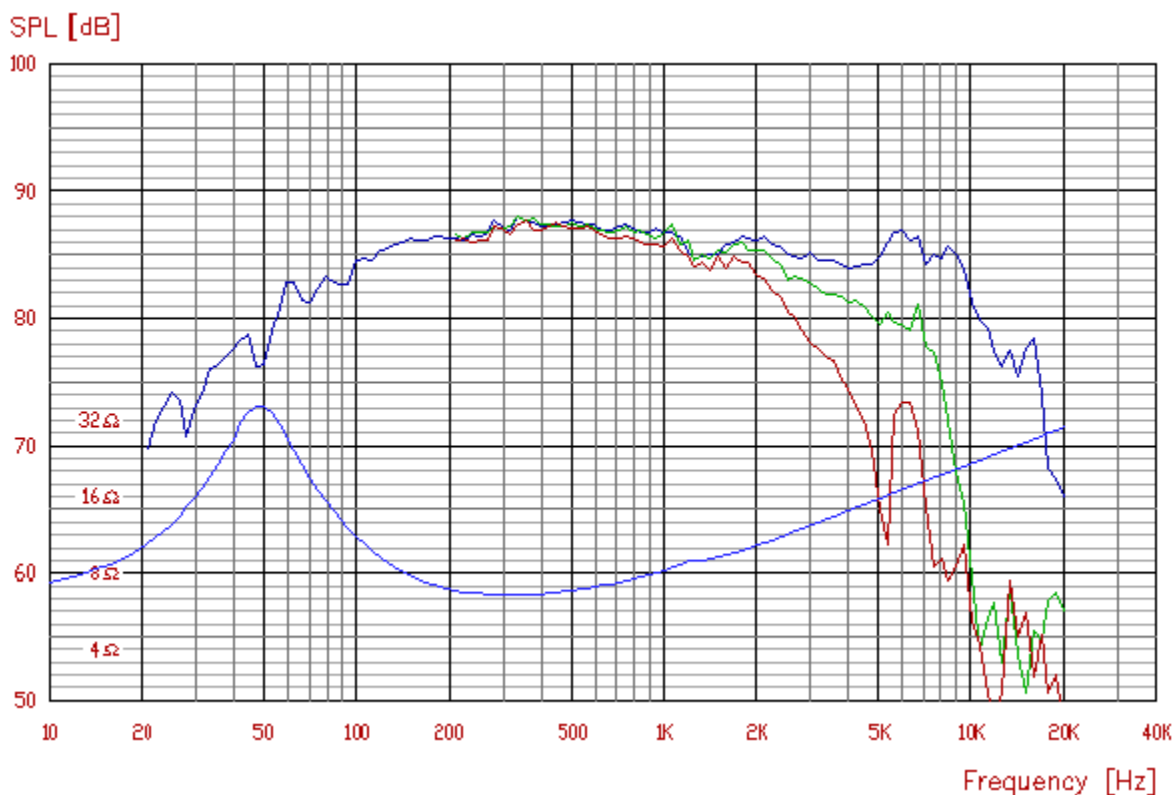
vifa

MG14WK09-08

Nominal impedance [ohm]	8
Voice coil resistance [ohm]	5.6
Nominal power [W]	-
Short term max power [W]	-
Long term max power [W]	-
Operating power [W]	-
Sensitivity [dB]	87
Frequency range [Hz]	40-5000
Free air resonance [Hz]	45
Voice coil diameter [mm]	25
Voice coil height [mm]	12
Air gap height [mm]	5
Voice coil inductance [mH]	0.72
Eff. diaphragm Area [cm ²]	80
Moving mass [g]	8.5
Magnet weight [g]/[oz]	-
Force factor [BI]	6.2
VAS [l]	13.8
Q _{ms}	1.99
Q _{es}	0.35
Q _{ts}	0.30



OD: 149 mm	CD: 115 mm
FT: 4.5 mm	ID: 61 mm
MD: 86.5 mm	HD: -



Frequency response: 2.83V / 1m