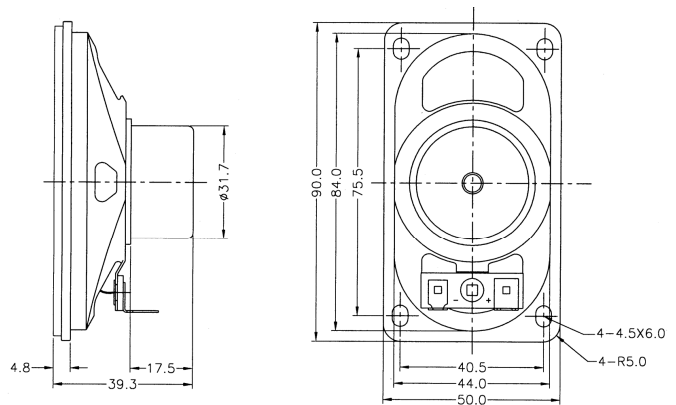


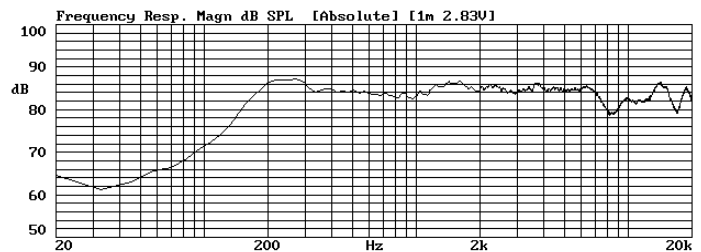
2 x 3" Full Range Speaker

- **Ultra Compact Design**
- **NO Stray Magnetic Fields**
- **Wide Bandwidth**

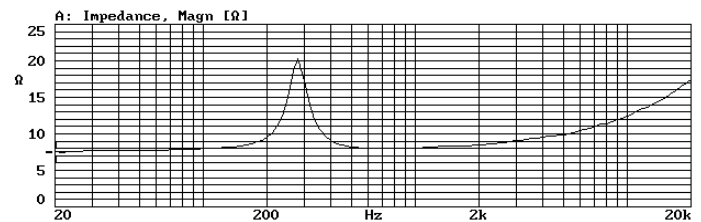
Nominal Diameter (Ø)	2 x 3 inches (50 x 90 mm)
Nominal Impedance (Z)	4 Ohms
Sensitivity, 1W/1m (E)	84 dB
Power Capacity, RMS (Pe)	7.5 W
Power Capacity, Peak	15 W
Frequency Range (-10dB)	Fo - 20 kHz
Minimum Impedance	4 Ohms
Voice Coil Diameter (Ø)	18.4 mm
Voice Coil Winding Length (h)	4.6 mm
Voice Coil Number of Layers (n)	2
Voice Coil Former Material	Kapton
Voice Coil Wire Composition	CCAW
Motor Reference	N184-C08-055A
Magnetic Material	Neodymium radial
Stray Flux Shielding	Inherent
Magnetic Gap Depth (He)	5.46 mm
Cone Material	Paper
Surround Material	Rubber Impregnated Cloth
Polarity, Outward Motion	Positive voltage on (+) tab
Net Weight	0.126 kg



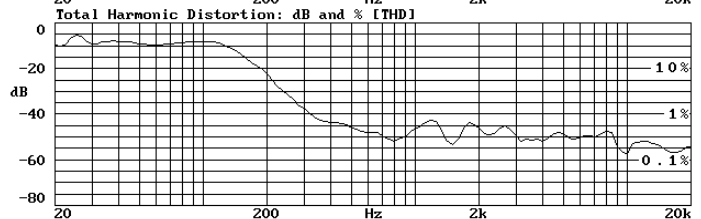
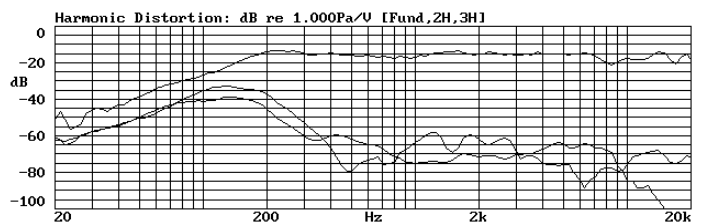
Frequency Response (1W, 1m)



Impedance



Distortion (1W, 1m)



Thiele / Small Parameters

Resonant Frequency (Fo) - Fs	220 Hertz
Voice Coil DC Resistance - Re	3.50 Ohms
Total Q - Qts	1.38
Mechanical Q - Qms	4.90
Electrical Q - Qes	1.90
Equivalent Volume of Air - Vas	0.38 L
Radiating Piston Area - Sd	25.72 cm ²

Electrical / Mechanical Parameters

Flux Density x Length - BL	1.80 Tesla-meters
Compliance - Cms	410 µm/N
Total Mass - Mms	1.26 grams