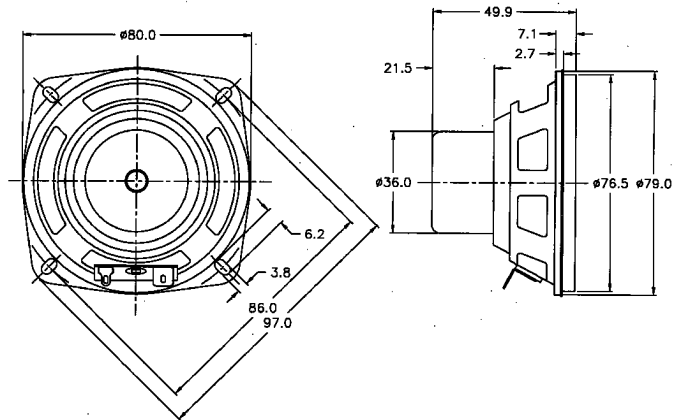


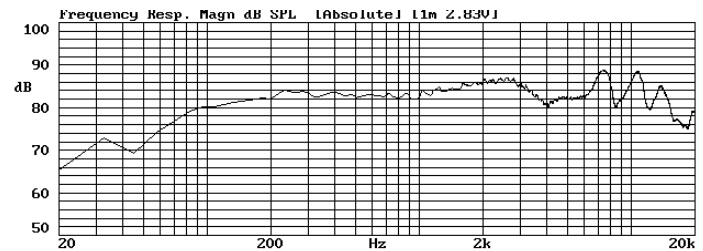
## 3" Full Range Speaker

- **High Sensitivity**
- **Wide Bandwidth**
- **NO Stray Magnetic Fields**
- **Low Distortion**

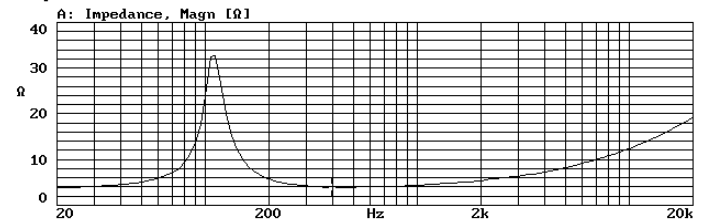


Nominal Diameter (Ø)	3 inches (80 mm)
Nominal Impedance (Z)	4 Ohms
Sensitivity, 1W/1m (E)	85 dB
Power Capacity, RMS (Pe)	10 W
Power Capacity, Peak	20 W
Frequency Range (-10dB)	Fo - 15 kHz
Minimum Impedance	4 Ohms
Voice Coil Diameter (Ø)	19.4 mm
Voice Coil Winding Length (h)	7.6 mm
Voice Coil Number of Layers (n)	2
Voice Coil Former Material	Kapton
Voice Coil Wire Composition	Copper
Motor Reference	N194-C08-084A
Magnetic Material	Neodymium radial
Stray Flux Shielding	Inherent
Magnetic Gap Depth (He)	8.4 mm
Cone Material	Paper
Surround Material	Rubber impregnated cloth
Polarity, Outward Motion	Positive voltage on (+) tab
Net Weight	0.190 kg

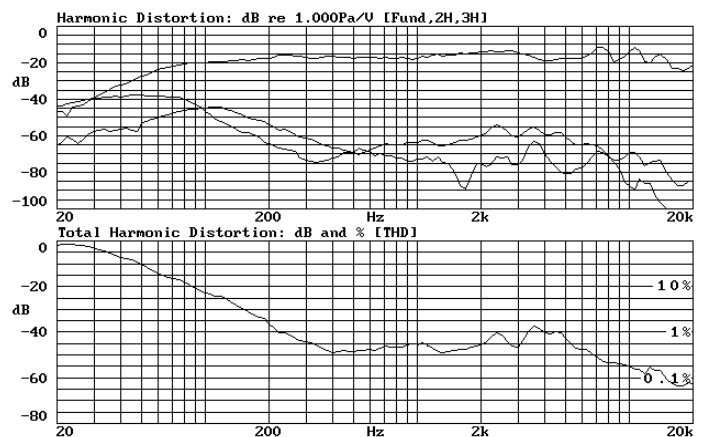
### Frequency Response (1W,1m)



### Impedance



### Distortion (1W,1m)



### Thiele / Small Parameters

Resonant Frequency (Fo) - Fs	120 Hertz
Voice Coil DC Resistance - Re	3.5 Ohms
Total Q - Qts	0.60
Mechanical Q - Qms	4.88
Electrical Q - Qes	0.70
Equivalent Volume of Air - Vas	1.10 L
Radiating Piston Area - Sd	31.0 cm <sup>2</sup>

### Electrical / Mechanical Parameters

Flux Density x Length - BL	2.9 Tesla-meters
Compliance - Cms	800 μm/N
Total Mass - Mms	2.25 grams