

5.25" Loudspeaker

- **High Sensitivity**
- **Compact Design**
- **NO Stray Magnetic Fields**

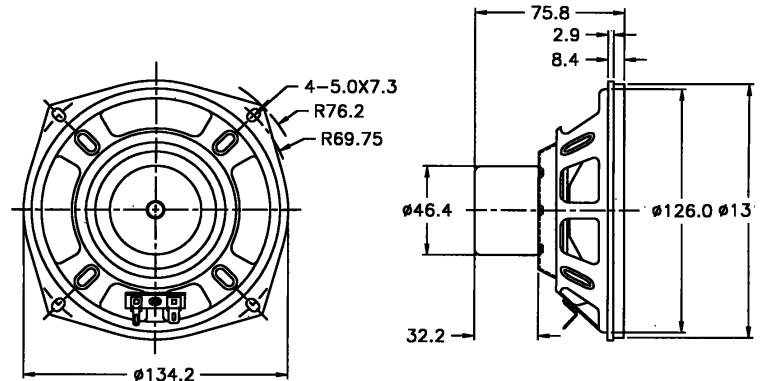
Nominal Diameter (Ø)	5.25 inches (133mm)
Nominal Impedance (Z)	9 Ohms
Sensitivity, 1W/1m (E)	89 dB @ 1 kHz
Power Capacity, RMS (Pe)	20 W
Power Capacity, Peak	50 W
Frequency Range (-10dB)	Fo - 6 kHz
Minimum Impedance	9 Ohms
Voice Coil Diameter (Ø)	25.5 mm
Voice Coil Winding Length (h)	12 mm
Voice Coil Number of Layers (n)	2
Voice Coil Former Material	Kapton
Voice Coil Wire Composition	Copper
Motor Reference	N255-C08-127A
Magnetic Material	Neodymium radial
Stray Flux Shielding	Inherent
Magnetic Gap Depth (He)	12.7 mm
Cone Material	Paper
Surround Material	Foam
Polarity, Outward Motion	Positive voltage on (+) tab
Net Weight	0.458 kg

Thiele / Small Parameters

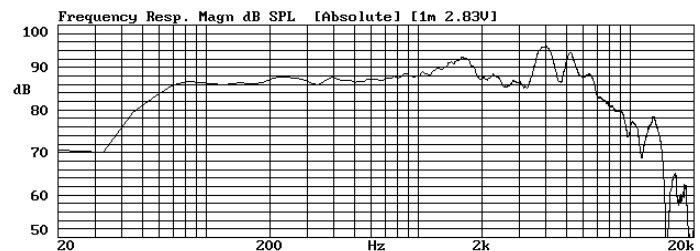
Resonant Frequency (Fo) - Fs	70 Hertz
Voice Coil DC Resistance - Re	7.4 Ohms
Total Q - Qts	0.55
Mechanical Q - Qms	11
Electrical Q - Qes	0.58
Equivalent Volume of Air - Vas	8.00 L
Radiating Piston Area - Sd	89.00 cm ²

Electrical / Mechanical Parameters

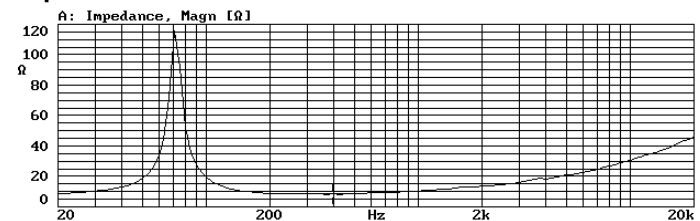
Flux Density x Length - BL	6.35 Tesla-meters
Compliance - Cms	750 µm/N
Total Mass - Mms	7.0 grams



Frequency Response (1W, 1m)



Impedance



Distortion (1W, 1m)

