

4" Midrange

Type Number: M10MD-39-08

Features:

Driver Highlights: 4" midrange, coated paper cone, magnesium basket



Specs: *DISCONTINUED - ARCHIVED*

Electrical Data

Nominal impedance	Zn	8	ohm
Minimum impedance	Zmin	--	ohm
Maximum impedance	Zo	--	ohm
DC resistance	Re	5.4	ohm
Voice coil inductance	Le	--	mH

T-S Parameters

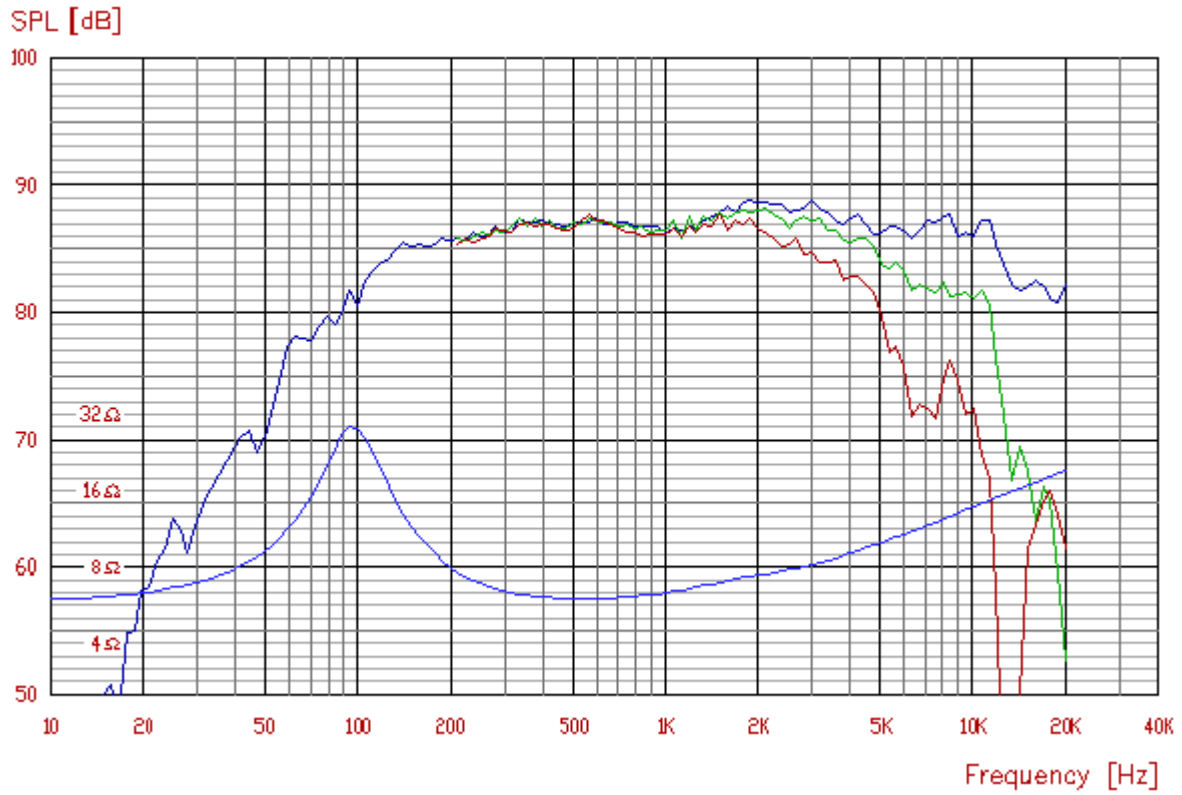
Resonance Frequency	fs	110	Hz
Mechanical Q factor	Qms	--	
Electrical Q factor	Qes	--	
Total Q factor	Qts	--	
Force factor	Bl	4.1	Tm
Mechanical resistance	Rms	--	Kg/s
Moving mass	Mms	2.9	g
Suspension compliance	Cms	--	mm/N
Effective cone diameter	D	--	cm
Effective piston area	Sd	37	cm ²
Equivalent volume	Vas	--	ltrs
Sensitivity		88	dB

Power handling

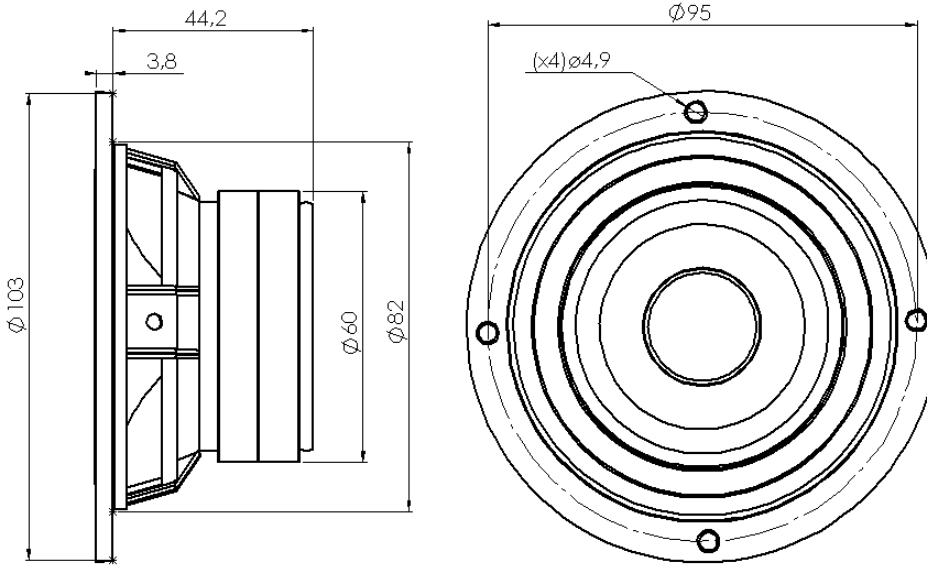
Long-term Max System Power (IEC)	--	W
Max linear SPL (rms) @ power	--	dB/W
Short Term Max power	--	W

Voice Coil and Magnet Parameters

Voice coil diameter	20	mm
Voice coil height	5.3	mm
Voice coil layers	--	
Height of the gap	4	mm
Flux density of gap	--	mWb
Total useful flux	--	mWb
Diameter of magnet	--	mm
Height of magnet	--	mm
Weight of magnet	0.21	Kg



Mechanical Dimensions:



M10MD-39-08