

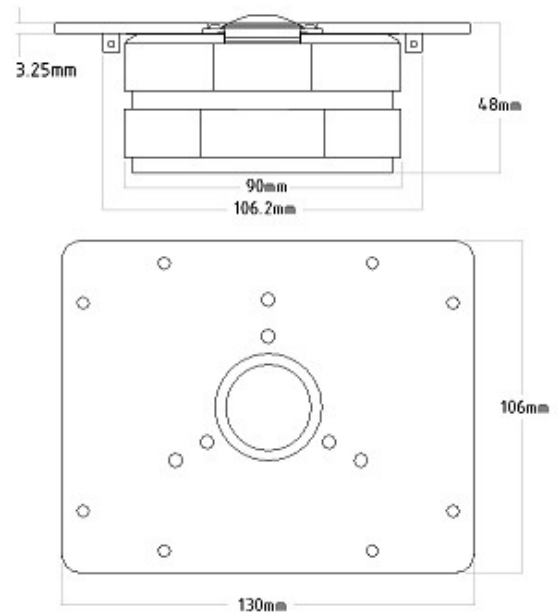
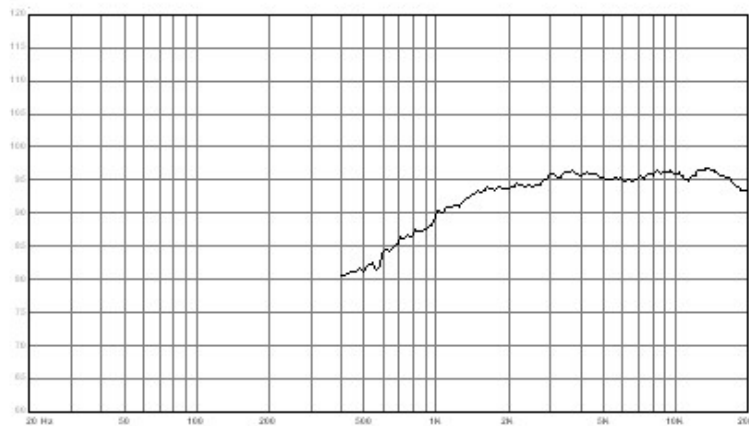
Transducer Lab

N28BE-G

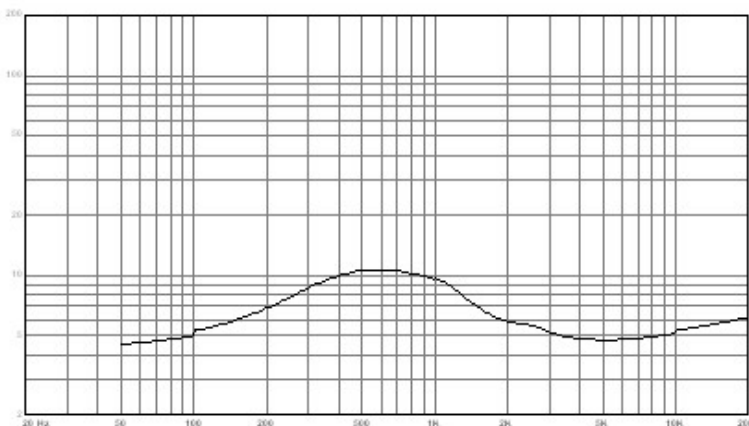
- Pure Beryllium (99.4%) dome
- Under-hung voice coil (1mm linear excursion)
- Pure silver lead wires/ terminal posts
- High-flux double magnet design
- Designed / assembled / tested in USA



Frequency Reponse



Impedance



Parameters

Dome Type	Convex- Beryllium
Surround	3-layer fabric
Bobbin type	Glass fiber
Impedance	6 ohm
RE	4.1 ohm
Power limit	105 W
SPL /2.83v	95.5 db
SD	6.7 cm2
Voice coil winding height	1.6mm
Voice coil inductance	0.03 mh
Magnetic gap height	2.8mm
BL	3.4 tm
Linear excursion	1.2 mm (total)
MMS	0.23 gr
FR	560 hz
QTS	0.17

Transducer Lab

254 S. Cole Rd, Boise, Idaho, 83709

Transducerlab.com / connect@transducerlab.com

6/5/2014