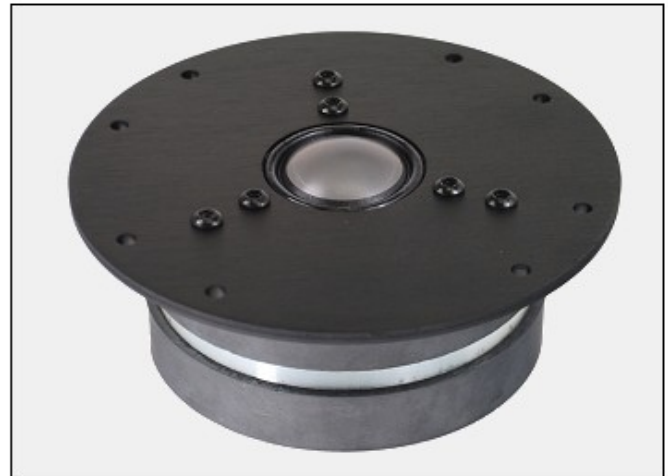


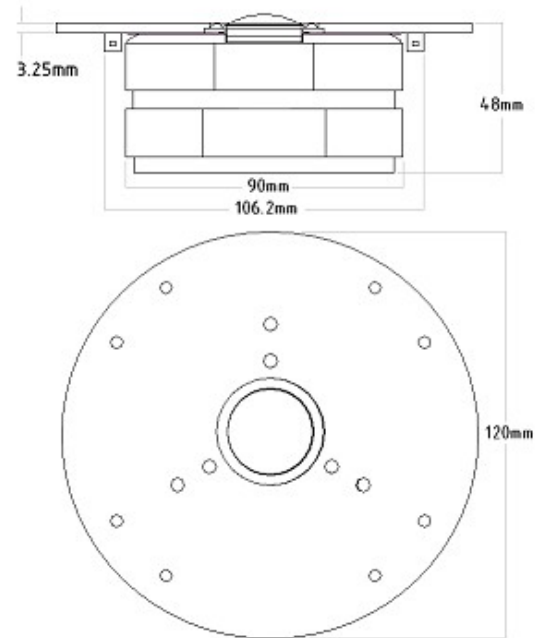
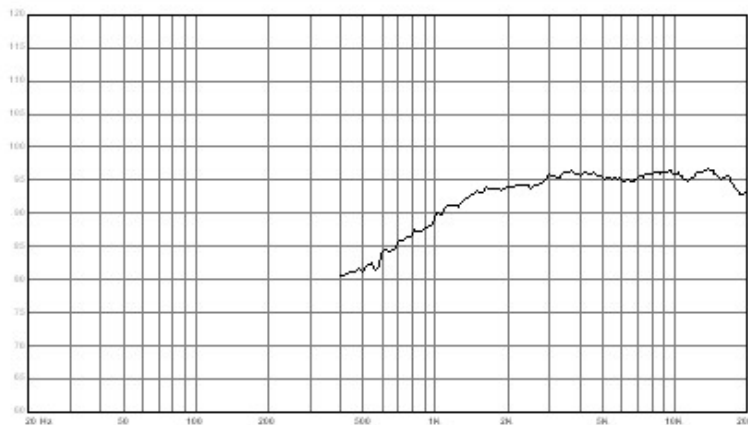
Transducer Lab

N28BER-A

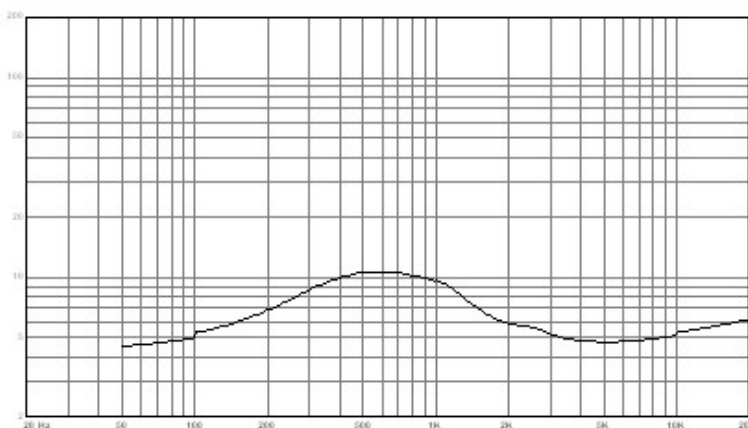
- Pure Beryllium (99.4%) dome
- Under-hung voice coil (1mm linear excursion)
- Pure silver lead wires/ terminal posts
- High-flux double magnet design
- Designed / assembled / tested in USA



Frequency Reponse



Impedance



Parameters

Dome Type	Convex- Beryllium
Surround	3-layer fabric
Bobbin type	Aluminum Alloy
Impedance	6 ohm
RE	4.1 ohm
Power limit	110 W
SPL /2.83v	95 db
SD	6.7 cm ²
Voice coil winding height	1.6mm
Voice coil inductance	0.04 mh
Magnetic gap height	2.8mm
BL	3.3 tm
Linear excursion	1.2 mm (total)
MMS	0.24 gr
FR	550 hz
QTS	0.16

Transducer Lab

254 S. Cole Rd, Boise, Idaho, 83709

Transducerlab.com / connect@transducerlab.com

6/5/2014